

## Manual Quick Changer – ATI MC-50



#8173  
EOAT-Side

#8172  
Robot-Side



#8175  
EOAT-Side



#8174  
Robot-Side

**Now available in-stock from EMI, ATI is a leading manufacturer of Tool Changers and the new MC-50 is a great addition to EMI's offering.**

With intuitive and ergonomic lever operation, the MC-50 Manual Robot Tool Changer provides a simple solution for quickly changing robotic end-of-arm tooling by hand. The low-profile MC-50 mounts directly to most cobots and seamlessly integrates with the grippers and end-effectors found in this catalog.

- **Suggested payload: 55 lbs (25kg)**
- Includes a safety latch button on the lever to provide secondary locking for increased safety and prevention of involuntary uncoupling.
- Four integrated M5 pneumatic pass-through ports for reliable supply to downstream tooling.
- Direct mounting to ISO 9409-1-50-4-M6 robot wrists to minimize stack height.
- Optional Electrical Modules (ML8): Tool-Side with M8, 8 pin male connector. Robot-Side with M8, 8 pin female pigtail cable to connect to robot wrist.
- Electrical connector compatible with UR and Fanuc CRX.

Quick#	Part#	Description	Weight	Price
8172	9122-050M-000	Robot-Side	420g	\$1,075.00
8173	9122-050T-000	EOAT-Side	183g	\$545.00
8174	9120-ML8-M	Robot-Side Electrical Connector with M8 8-Pin Female Cable	46g	\$545.00
8175	9120-ML8-T	EOAT-Side Electrical Connector with M8 8-Pin Male Connector	31g	\$305.00

*Dimensional drawings and other technical specifications for electrical connectors available at [EMICorp.com](http://EMICorp.com)*

**Available In-Stock from EMI**



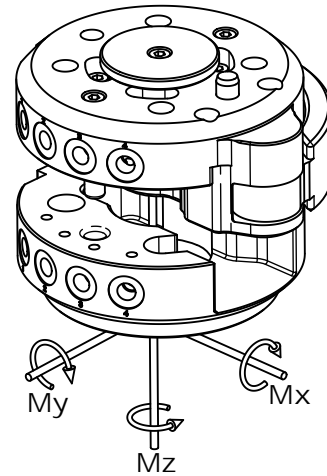
# Manual Quick Changer – ATI MC-50

(Dimensioned drawings reduced to fit)

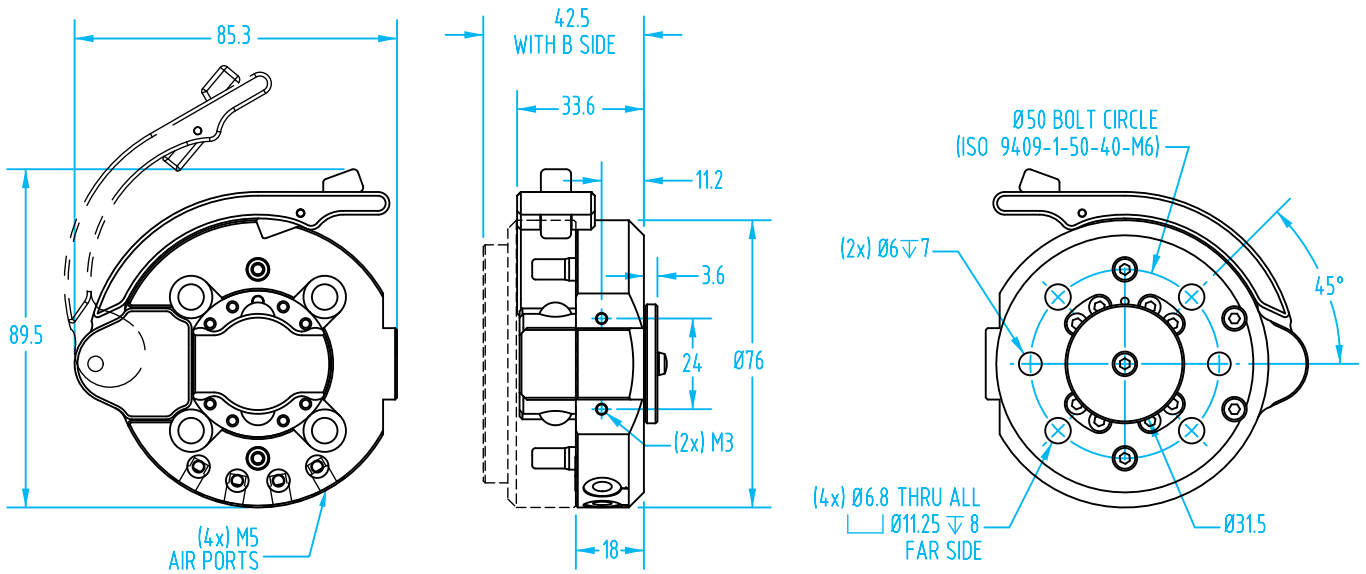
## Safety loads

Check the table for the maximum loads allowed. Excessive forces or torques can damage the system, cause operation problems and endanger the safety of the operator.

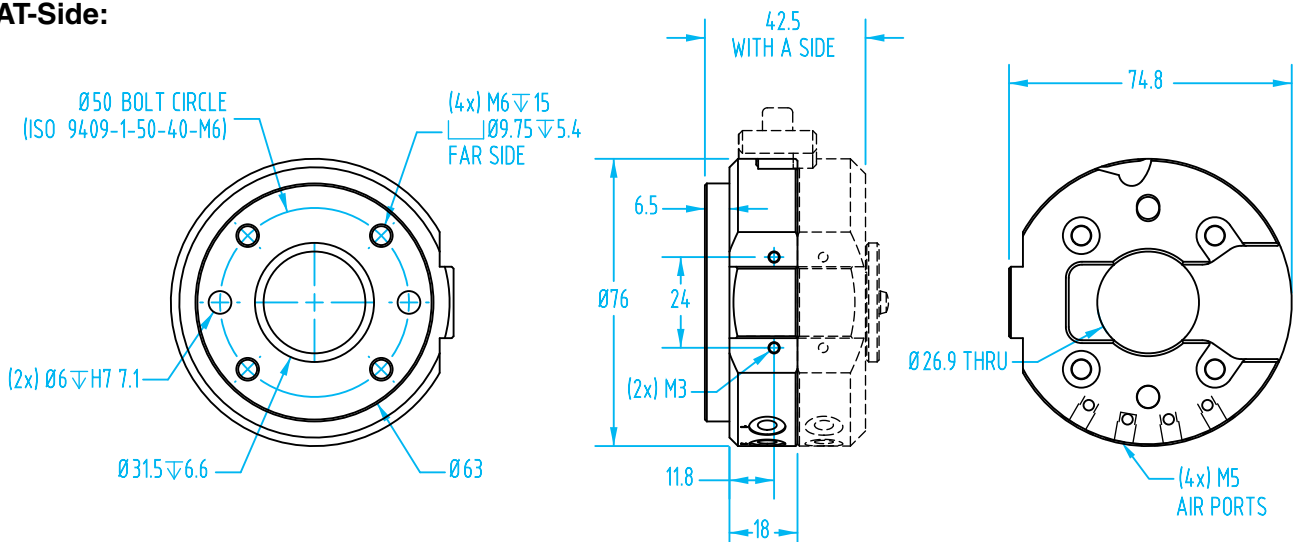
	Max.
Mxy	18.4 ft-lbs
Mz	18.4 ft-lbs
Mxy	55.3 ft-lbs
Mz	55.3 ft-lbs



## Robot-Side:



## EOAT-Side:



- CU
- QC
- VG
- VC
- VA
- SG
- GR
- MT
- AC
- CS
- CC