

Sheet Metal Nitrile Vacuum Cups – Coval CBC



Coval's high performance CBC series vacuum cups are a great option for gripping thin sheet metal. These cups were designed specifically to support the automotive industry and are ideally suited for automated applications.

- Excellent resistance to slipping due to optimal cleat design and central stopper.
- Vulcanized polyamide nipples used for lightweight integration, included.
- Visual wear indicator.

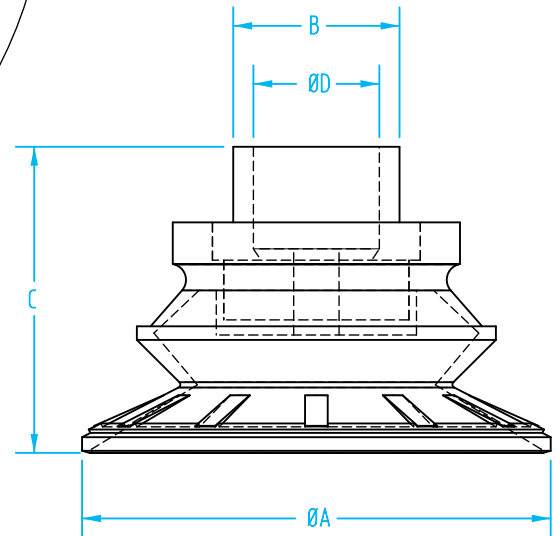
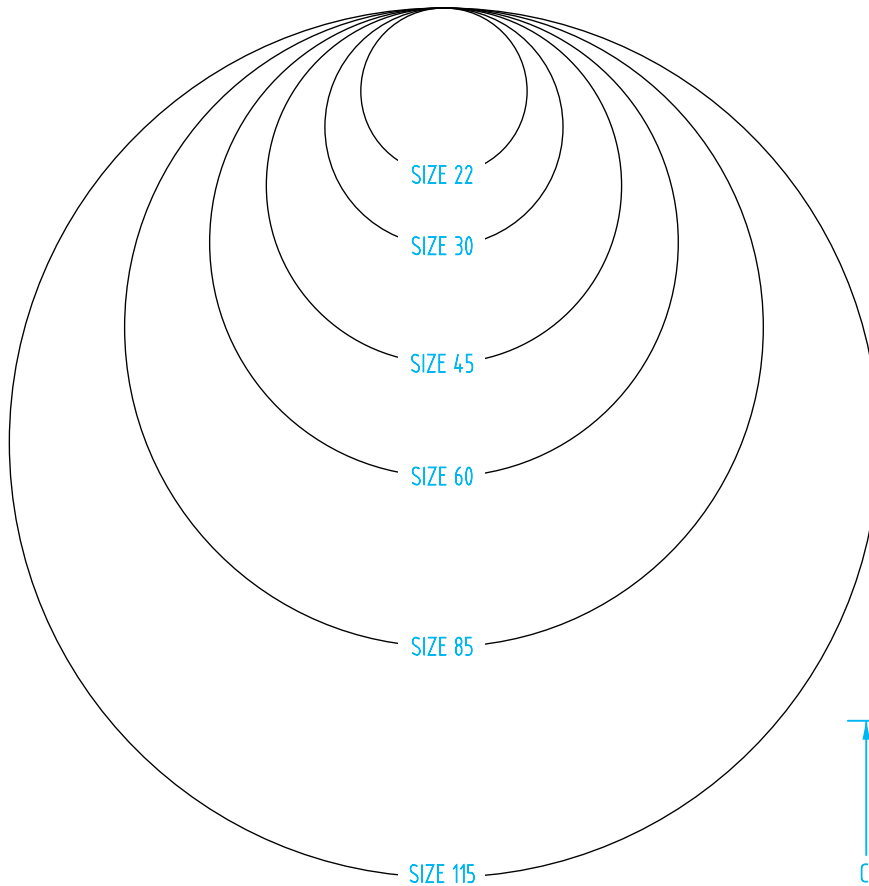
Coval CBC Vacuum Cup Properties

Material	Color	Max Temp.	Durometer
Nitrile	Black	212°F	55°



Sheet Metal Nitrile Vacuum Cups – Coval CBC

(Dimensioned drawings shown full scale)



- CU
- QC
- VG
- VC**
- VA
- SG
- GR
- MT
- AC
- CS
- CC

Quick#	Part#	ØA Diameter Cup	ØB (mm)	C (mm)	ØD (Nipple Included)	Price
8622	GSV-CBC22-G38F	22mm	22	32.5	G3/8" Female	\$22.40
8623	GSV-CBC30-G38F	31.5mm	22	30.5	G3/8" Female	\$21.60
8624	GSV-CBC45-G38F	47mm	22	35.5	G3/8" Female	\$21.60
8625	GSV-CBC60-G38F	62mm	22	40.5	G3/8" Female	\$20.47
8626	GSV-CBC85-G38F	84.5mm	22	50.5	G3/8" Female	\$22.17
8627	GSV-CBC115-G38F	115mm	22	51.5	G3/8" Female	\$22.73

Vacuum Nipple Adapter

Quick#	Part#	Description	Price
8628	GSF-CBC-G38MA	G3/8" Female to Male Adapter	\$6.25

