

Soft 2-Finger Gripper – PIAB piSOFTGRIP

This two-finger vacuum-based soft gripper can grip sensitive and lightweight objects with odd geometries and/or objects with an unusual surface. Made in detectable silicone approved for direct contact with food, in accordance with FDA 21 CFR and EU 1935/2004 regulations.

The #8071 has a male G1/8" fitting or the #8073 offers stainless-steel G1/4" fitting for wash-down. Both are compatible with our wide range of vacuum posts, suspensions, and 3D printed supports.



#8071

#8073, wash-down

	Size 50	
Quick#	8071	8073
Part#	CRG-PSG50-2S-G18M	CRG-PSG50-2S-GW14M
Price	\$119.31	\$190.46
Weight	41g	104g
Temperature range	-4–212°F	
Recommended vacuum level	0.4–0.9 Bar	
Maximum object size	53.59mm	
Maximum payload	150g	
Connection	Male G1/8"	Wash-down G1/4"
Finger / Claw material	Detectable Silicone 70° Shore A	

PiSOFTGRIP Related Items:

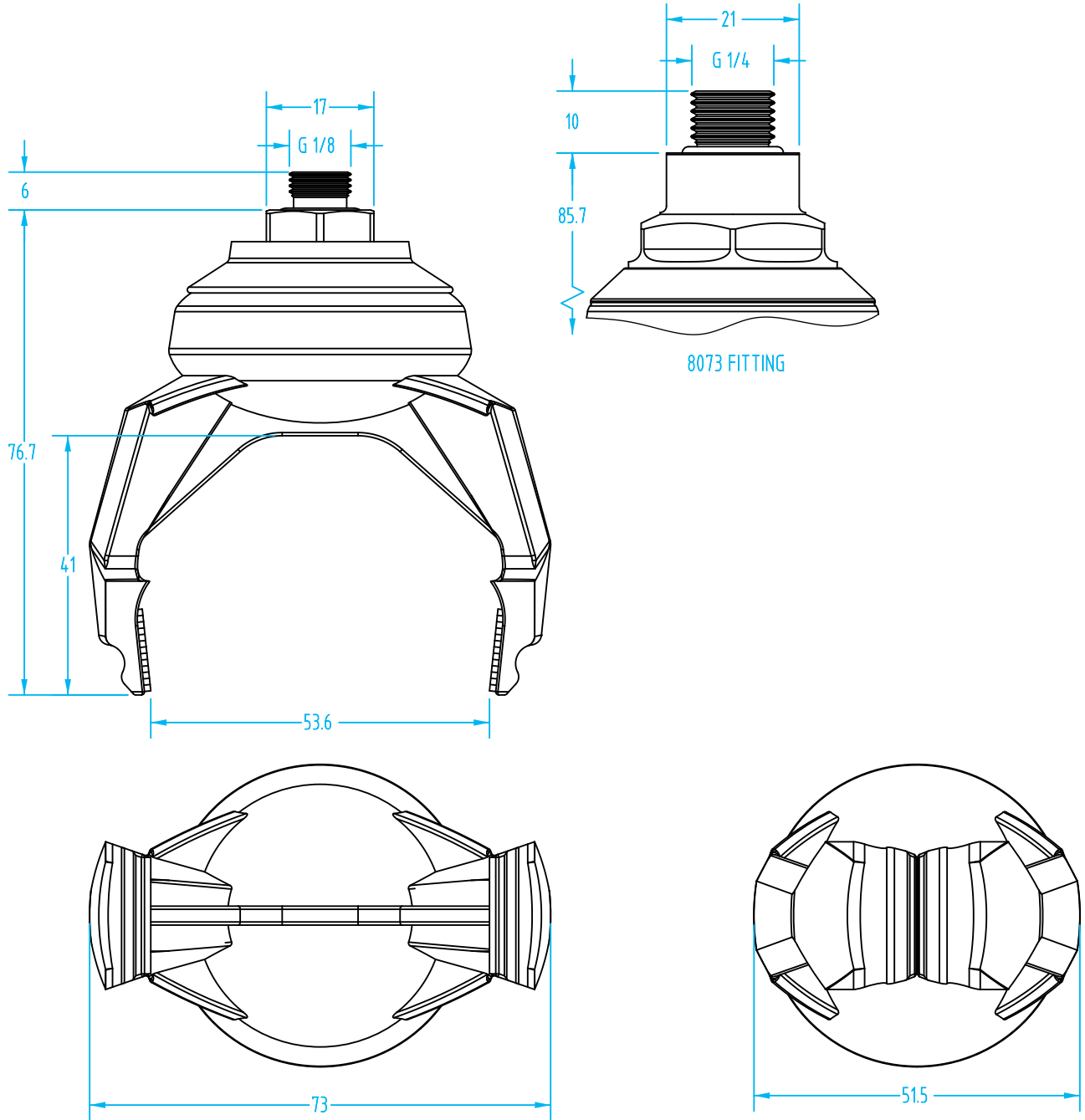


The related items shown here can be found online and in our comprehensive EOAT catalog.



Soft 2-Finger Gripper – PIAB piSOFTGRIP

(Dimensioned drawings shown full scale)



- CU
- QC
- VG
- VC
- VA
- SG**
- GR
- MT
- AC
- CS
- CC

Soft 3-Finger Gripper – PIAB piSOFTGRIP

(Dimensioned drawings shown full scale)

Cost effective, simple, and robust. This silicone gripper is ideal for sensitive and lightweight object handling.

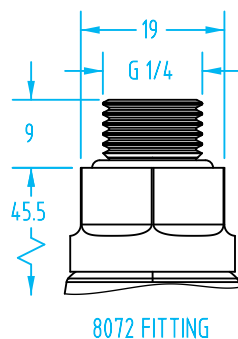
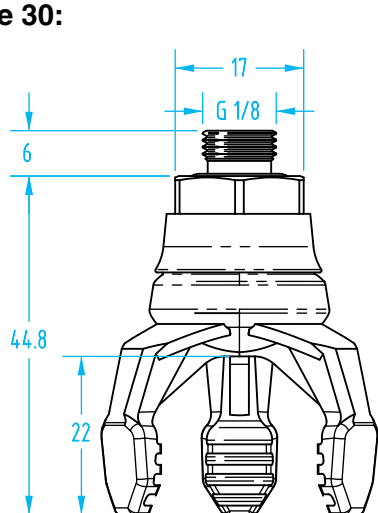
Made in detectable silicone approved for direct contact with food, in accordance with FDA 21 CFR and EU 1935/2004 regulations. Gripper is actuated using a vacuum circuit.

Available with either a male G1/8" fitting or stainless-steel G1/4" fitting for wash-down. Both are compatible with our wide range of vacuum posts, suspensions, and 3D printed supports.

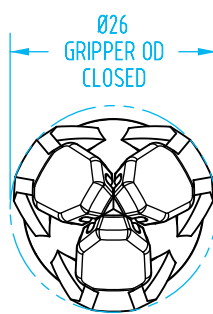
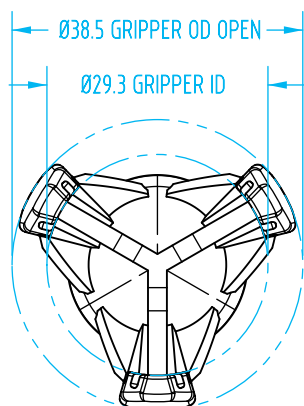
Cost Effective Soft Grippers!

	Size 30		Size 50	
Quick#	8070	8072	8080	8074
Part#	CRG-PSG30-3S-G18M	CRG-PSG30-3S-GW14M	CRG-PSG-3S-G18M	CRG-PSG50-3S-GW14M
Price	\$88.45	\$120.88	\$140.13	\$211.28
Weight	12g	34g	46g	110g
Temperature range	-4–212°F			
Recommended vacuum level	0.4–0.9 Bar		0.2–0.6 Bar	
Maximum object size	29mm		62mm	
Maximum payload	50g		250g	
Connection	Male G1/8"	Wash-down G1/4"	Male G1/8"	Wash-down G1/4"
Finger / Claw material	Detectable Silicone 70° Shore A			

Size 30:



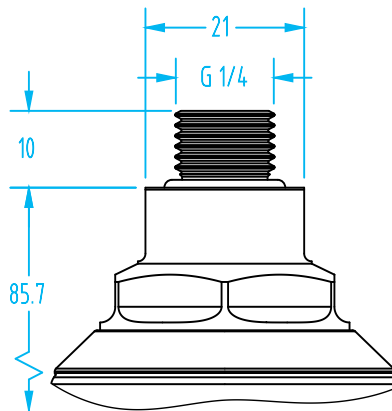
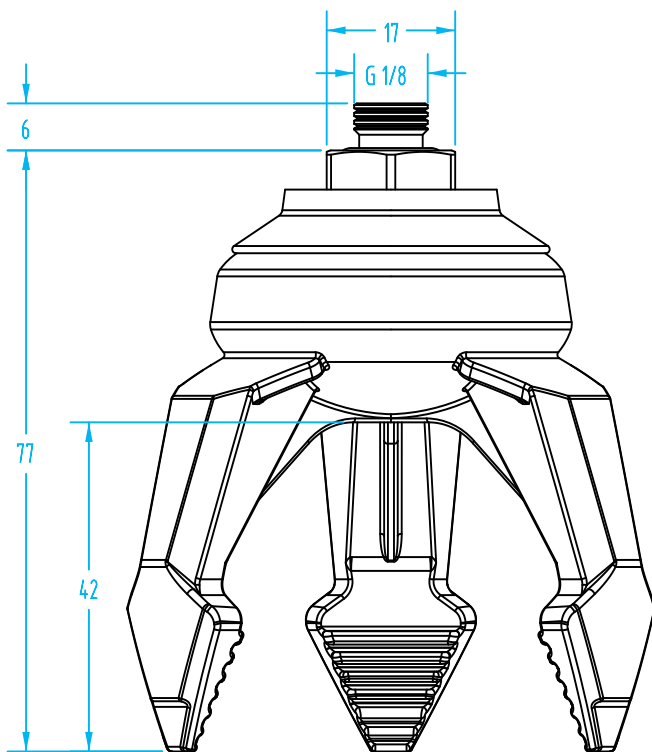
#8072, wash-down



Soft 3-Finger Gripper – PIAB piSOFTGRIP

(Dimensioned drawings shown full scale)

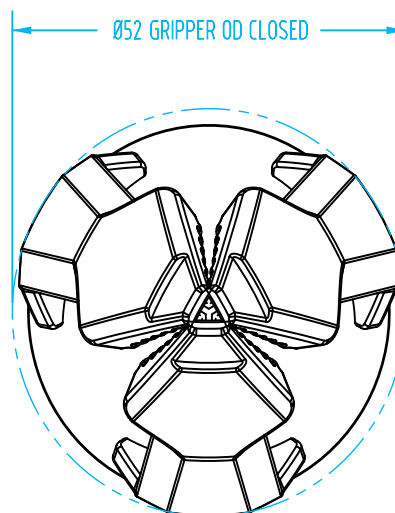
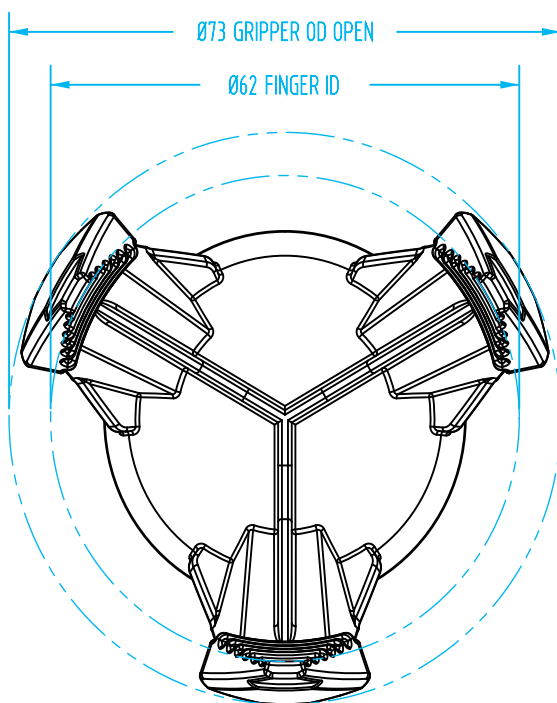
Size 50:



8074 FITTING



#8080



- CU
- QC
- VG
- VC
- VA
- SG**
- GR
- MT
- AC
- CS
- CC

Soft 4-Finger Gripper – PIAB piSOFTGRIP®

Cost effective, simple and robust. This silicone gripper is ideal for sensitive and lightweight object handling.

Made in detectable silicone approved for direct contact with food, in accordance with FDA 21 CFR and EU 1935/2004 regulations. Gripper is actuated using a vacuum circuit.

Available with either a standard male G1/4" fitting or stainless-steel G1/4" fitting for wash-down. Both are compatible with our wide range of vacuum posts, suspensions, and 3D printed supports.



	Size 100	
Quick#	8061	8062
Part#	CRG-PSG100-4S-G14M	CRG-PSG100-4S-GW14M
Price	\$228.67	\$325.20
Weight	170g	241g
Temperature range	-4–212°F	
Recommended vacuum level	0.4–0.9 Bar	
Maximum object size	100mm	
Maximum payload	250g	
Connection	Male G1/4"	Wash-down G1/4"
Finger / Claw material	Detectable Silicone 70° Shore A	

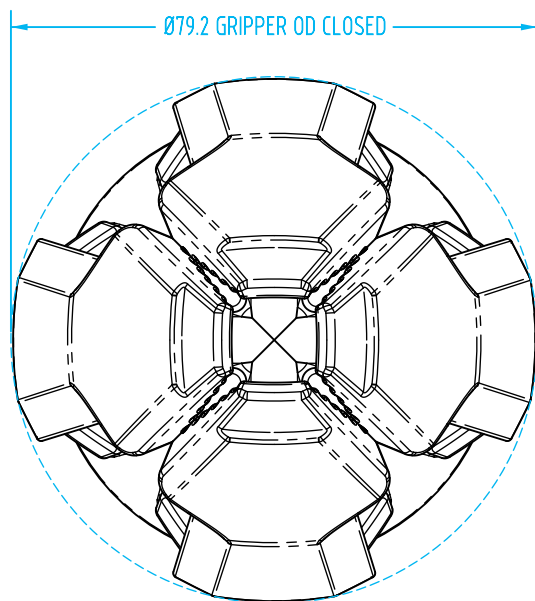
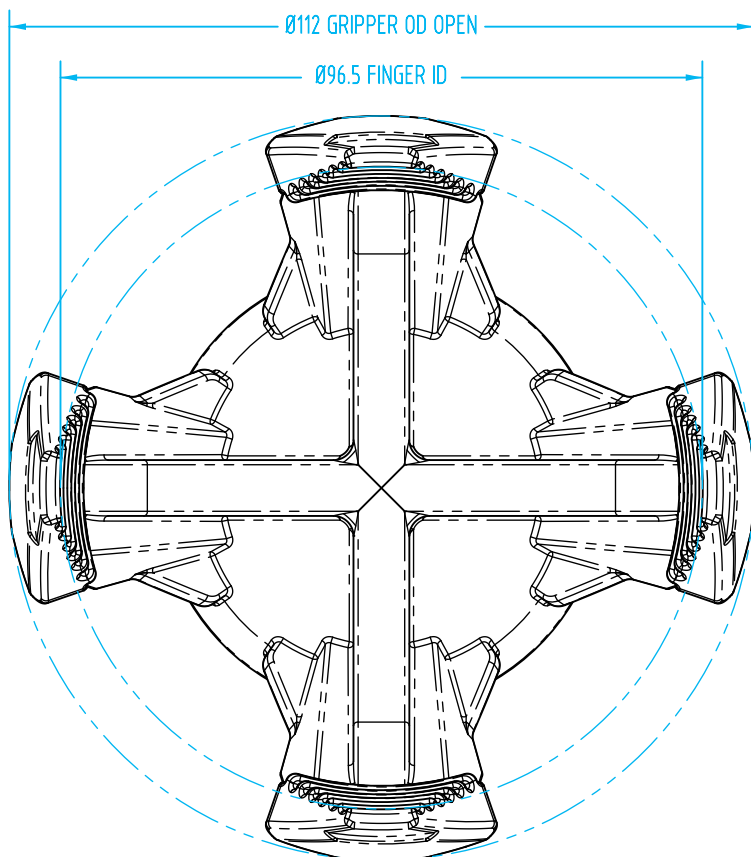
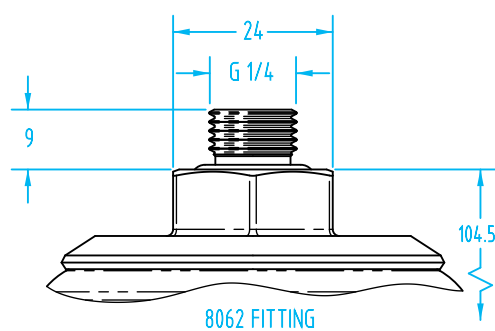
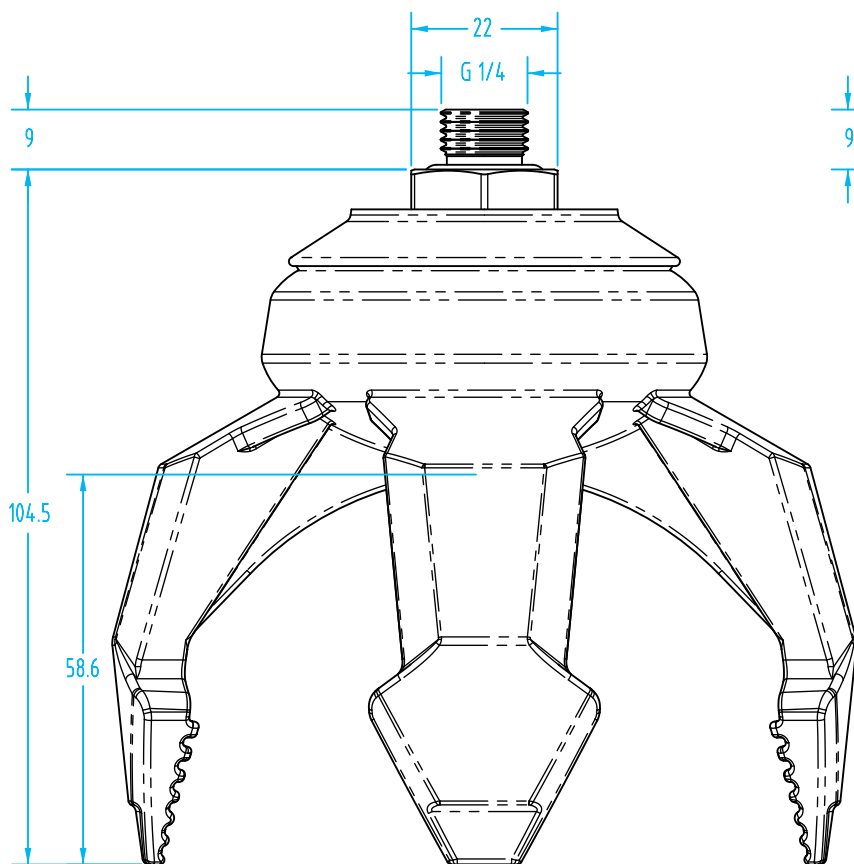
PiSOFTGRIP Related Items:



The related items shown here can be found online and in our comprehensive EOAT catalog.

Soft 4-Finger Gripper – PIAB piSOFTGRIP

(Dimensioned drawings reduced to fit)



- CU
- QC
- VG
- VC
- VA
- SG**
- GR
- MT
- AC
- CS
- CC

PIAB piSOFTGRIP Gripper Application Examples



*Quick# 8061, Ø10mm Mono Clamp
Quick# 8101, & clampable Gimatic
Vacuum Generator.*



*Quick# 8080, Ø10mm Mono
Clamp Quick# 8101, & Vacuum
Post Quick# 5732.*

Easy Vacuum Actuation!





PIAB piSOFTGRIP Gripper Application Examples



#8071 Two-finger gripper can grip sensitive and lightweight objects with odd geometries.



Quick# 8070 & Quick# 8090 Schmalz CobotPump Electric vacuum generator.

- CU
- QC
- VG
- VC
- VA
- SG**
- GR
- MT
- AC
- CS
- CC

**Connects to your Existing
EOAT Components**

