

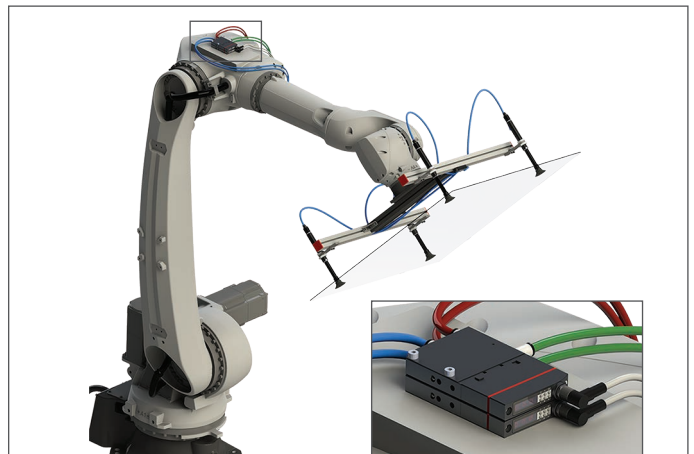
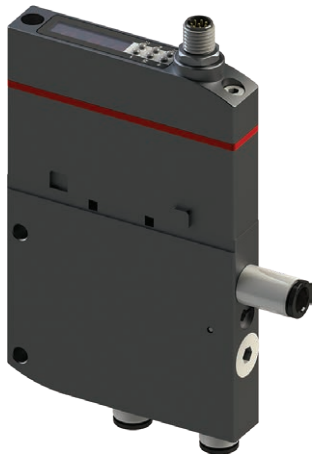
EJ-XONE

- Vacuum pump with advanced control functions, available with EJ-MEDIUM two-stage cartridges
- Energy-saving system (ES) with manual and automatic modes that allows for up to 95% compressed air savings in sealing applications, integrated check valve
- Electronically controllable blow-off mechanism, either by pin or automatic at each cycle
- High system reliability at low or fluctuating feed pressure
- Option to have PNP and NPN versions, with normally closed (NC) and normally open (NO) configurations
- Electrical connection via M8x1 8-pin connector
- Simplified intuitive 7-segment display
- Vacuum connection tube Ø6
- Pneumatic connection tube Ø6
- Option for direct fastening using two M5 holes located on the back or through two Ø4.1 holes on the side
- It can be installed in series
- High performance in a compact design
- Aluminum unibody, sturdy, durable, and lightweight
- Option to channel the exhaust through a Ø6 tube
- Easily removable cartridge for cleaning

Typical applications

- Unstacking and transfer from presses
- Plastic parts removal
- Where integrated control with reduced weights and dimensions is required
- High speed pick & place applications
- Forming, loading and unloading trays and cartons
- Robot picking, positioning and packaging (low weight)

NEW



Pneumatic specifications

Max feed pressure	0.8 MPa
Minimum supply pressure	0.4 MPa
Maximum air consumption for vacuum generation	58 NI/min
Maximum air consumption for blow-off	168 NI/min
Maximum blow-off flow rate	93 NI/min
Maximum suction flow rate	38 NI/min
Maximum blow-off pressure (zero flow rate)	0.23 Mpa
Valve opening time	≤ 12 ms
Valve closing time	≤ 5 ms
Supply	Dry air
Pneumatic supply connection	Tube Ø6 mm
Vacuum channel connection	Tube Ø6 mm
Maximum vacuum level	-95 kPa

Technical Features	
Operating temperature range	0 ÷ +60 °C
Mass	145 g
IP rating	IP54
Materials	Al, PA66, SS, TPU, PC, NBR
Operating voltage	24 Vdc (±10%)
Electrical connection	M8x1 male, 8-pin
Manual controls	Yes, monostable buttons
Vacuum transducer response time	1 ms
Vacuum level analogue output	0-5 Vdc
Valve controls	Digitali PNP/NPN

Suction flow rate													
Model	Feed pressure [MPa]	Air consumption [Nl/s]	Suction flow rate [Nl/s] at different vacuum levels [kPa]										Max vacuum [kPa]
			0	-10	-20	-30	-40	-50	-60	-70	-80	-90	
EJ-XONE-M-HF-2-NO/NC	0.6	0.43	0.78	0.68	0.52	0.31	0.21	0.15	0.1	0.08	–	–	-73
EJ-XONE-M-HV-2-NO/NC	0.6	0.55	0.74	0.63	0.53	0.47	0.29	0.14	0.1	0.08	0.05	0.01	-93
EJ-XONE-M-LP-2-NO/NC	0.4	0.55	0.67	0.61	0.53	0.38	0.23	0.12	0.09	0.06	0.02	–	-89

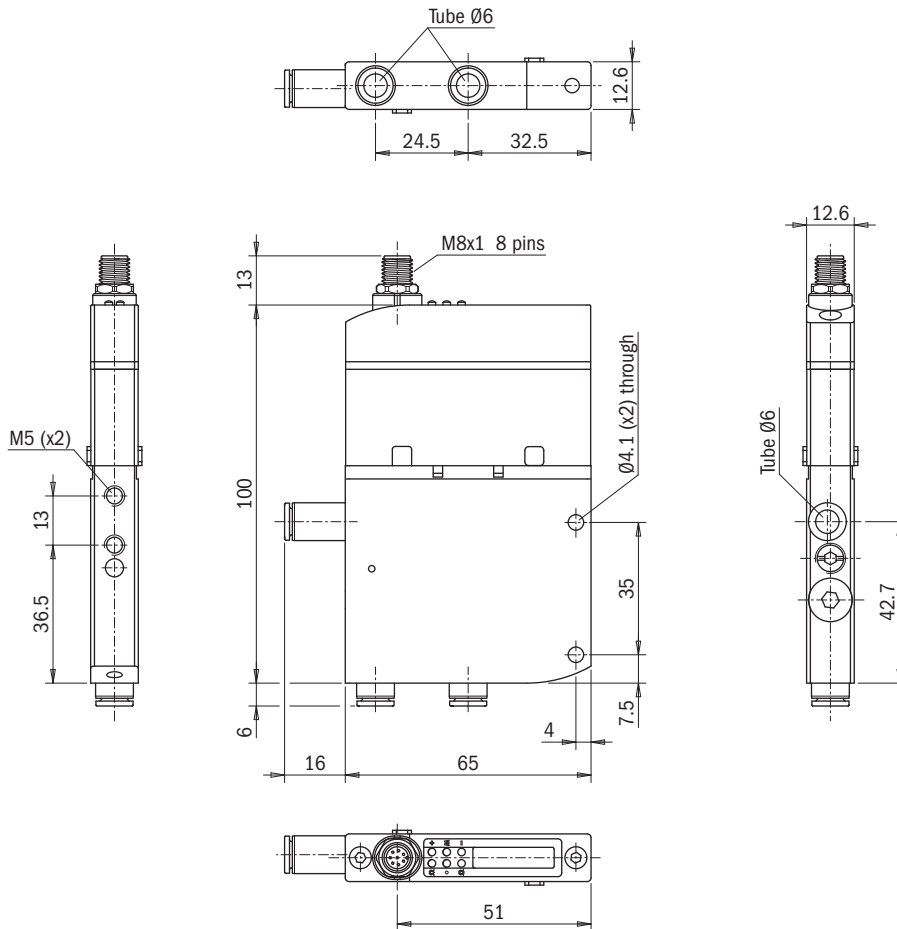
For technical specifications, regarding the suction flow rate and the air consumption at different pressures, please refer to the technical data sheets of the EJ-MEDIUM cartridges in the two-stage version

Evacuation time													
Model	Feed pressure [MPa]	Air consumption [Nl/s]	Evacuation time [s/l] to reach different vacuum levels [kPa]										Max vacuum [kPa]
			-10	-20	-30	-40	-50	-60	-70	-80	-90		
EJ-XONE-M-HF-2-NO/NC	0.6	0.43	0.13	0.3	0.54	0.9	1.5	2.3	3.2	–	–	-73	
EJ-XONE-M-HV-2-NO/NC	0.6	0.55	0.15	0.32	0.52	0.8	1.3	2.1	3.2	4.7	8.6	-93	
EJ-XONE-M-LP-2-NO/NC	0.4	0.55	0.17	0.33	0.55	0.9	1.5	2.4	3.7	7.1	–	-89	

For technical specifications regarding the evacuation time and the consumption at different pressures, please refer to the technical data sheets of the EJ-MEDIUM cartridges, in the two-stage version

Identification codes

Alphanumeric code	Description	Order code
EJ-XONE-M-HF-2-NO-PNP	Vacuum pump XONE series, 7-segment display, EJ-M-HF-2-NR ejector, integrated solenoid valves, normally open version, PNP, 24 Vdc, M8x1 connector, 8 poles	3400113
EJ-XONE-M-HV-2-NO-PNP	Vacuum pump XONE series, 7-segment display, EJ-M-HV-2-NR ejector, integrated solenoid valves, normally open version, PNP, 24 Vdc, M8x1 connector, 8 poles	3400114
EJ-XONE-M-LP-2-NO-PNP	Vacuum pump XONE series, 7-segment display, EJ-M-LP-2-NR ejector, integrated solenoid valves, normally open version, PNP, 24 Vdc, M8x1 connector, 8 poles	3400115
EJ-XONE-M-HF-2-NC-PNP	Vacuum pump XONE series, 7-segment display, EJ-M-HF-2-NR ejector, integrated solenoid valves, normally closed version, PNP, 24 Vdc, M8x1 connector, 8 poles	3400116
EJ-XONE-M-HV-2-NC-PNP	Vacuum pump XONE series, 7-segment display, EJ-M-HV-2-NR ejector, integrated solenoid valves, normally closed version, PNP, 24 Vdc, M8x1 connector, 8 poles	3400117
EJ-XONE-M-LP-2-NC-PNP	Vacuum pump XONE series, 7-segment display, EJ-M-LP-2-NR ejector, integrated solenoid valves, normally closed version, PNP, 24 Vdc, M8x1 connector, 8 poles	3400118
EJ-XONE-M-HF-2-NO-NPN	Vacuum pump XONE series, 7-segment display, EJ-M-HF-2-NR ejector, integrated solenoid valves, normally open version, NPN, 24 Vdc, M8x1 connector, 8 poles	3400125
EJ-XONE-M-HV-2-NO-NPN	Vacuum pump XONE series, 7-segment display, EJ-M-HV-2-NR ejector, integrated solenoid valves, normally open version, NPN, 24 Vdc, M8x1 connector, 8 poles	3400126
EJ-XONE-M-LP-2-NO-NPN	Vacuum pump XONE series, 7-segment display, EJ-M-LP-2-NR ejector, integrated solenoid valves, normally open version, NPN, 24 Vdc, M8x1 connector, 8 poles	3400127
EJ-XONE-M-HF-2-NC-NPN	Vacuum pump XONE series, 7-segment display, EJ-M-HF-2-NR ejector, integrated solenoid valves, normally closed version, NPN, 24 Vdc, M8x1 connector, 8 poles	3400128
EJ-XONE-M-HV-2-NC-NPN	Vacuum pump XONE series, 7-segment display, EJ-M-HV-2-NR ejector, integrated solenoid valves, normally closed version, NPN, 24 Vdc, M8x1 connector, 8 poles	3400129
EJ-XONE-M-LP-2-NC-NPN	Vacuum pump XONE series, 7-segment display, EJ-M-LP-2-NR ejector, integrated solenoid valves, normally closed version, NPN, 24 Vdc, M8x1 connector, 8 poles	3400130



Identification codes

Alphanumeric code	Description	Order code
EJ-XONE-M-PH	Assembled side with inserts, screws and nuts	3400137

