

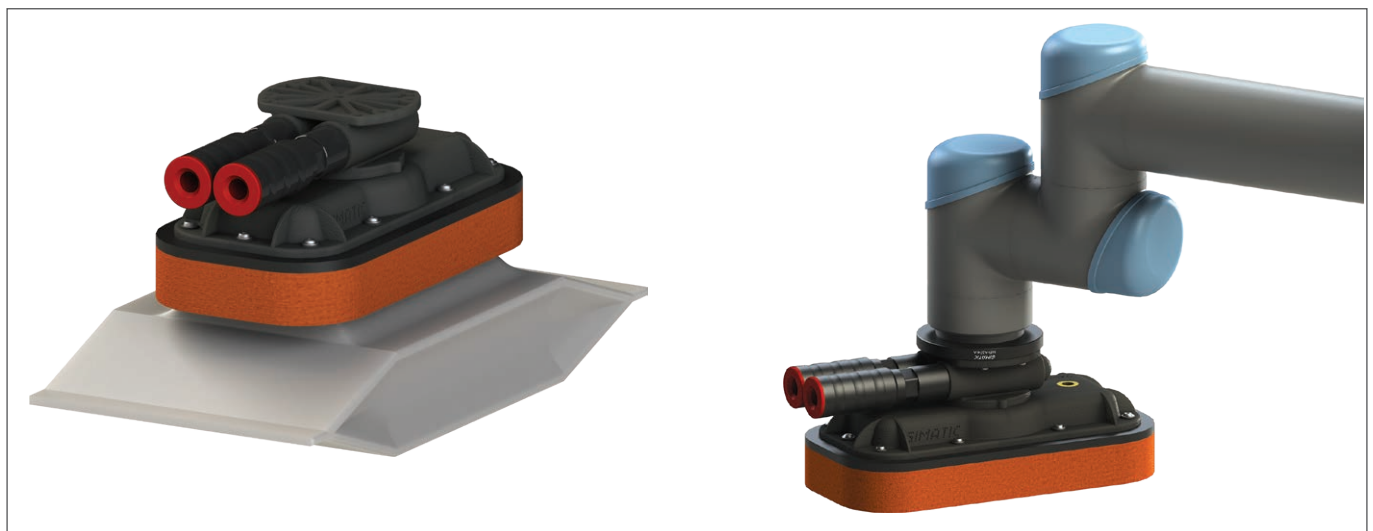
Vacuum gripping systems for bags / FBG-L, with integrated vacuum generators and 30 mm thick foam

FBG-L

- The FBG-L series of vacuum gripping systems with integrated vacuum generators is a compact solution designed for handling heavy bags of both liquid and solid materials with different shapes and weights
- It is fitted with two LARGE ejectors that can be either two or three-stage
- Available in the size 245x125 mm and with two heights 70 mm and 90 mm
- The body (PA12) is compact and lightweight yet sturdy
- The foam, 30 mm thick, is available in an orange version in natural rubber that adapts perfectly to the bag to be handled, and in a black version in EPDM that has excellent wear resistance
- Internal metal plate that protects the bag being handled against damage
- The additional MFI-A374-A kit can be used for directly fixing to the most common cobots on the market (ISO-9409-1-50-4-M6)



Application example

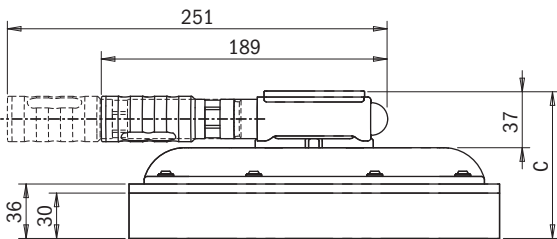
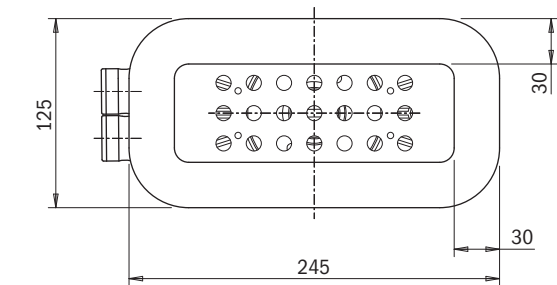


Technical features

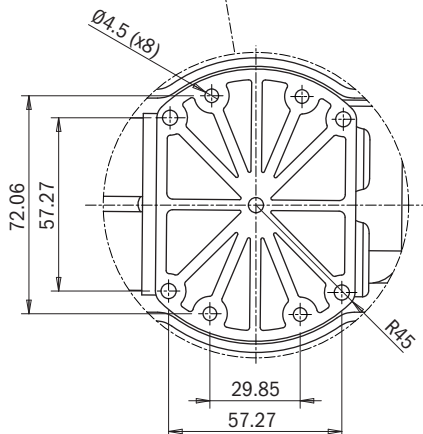
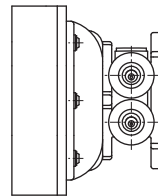
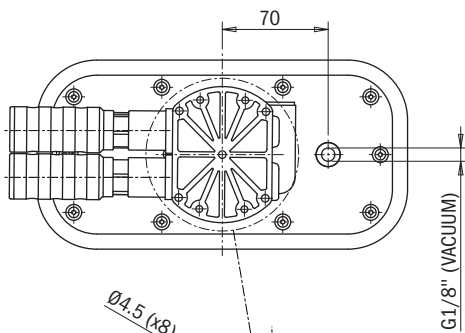
Temperature range	0 ÷ +50 °C
Weight	1 ± 1.25 kg
Material	PA, SS, NR, Al, Nitrile (NBR)

Identification codes

Alphanumeric code	Description	Order code
FBG-245-125-H70-F30G-LX2-HF-2	Vacuum gripping system for bags, 245x125x70 mm, with integrated two-stage vacuum generator and 30mm thick natural rubber foam	370245003
FBG-245-125-H90-F30G-LX2-HF-2	Vacuum gripping system for bags, 245x125x90 mm, with integrated two-stage vacuum generator and 30mm thick natural rubber foam	370245004
FBG-245-125-H70-F30G-LX2-HF-3	Vacuum gripping system for bags, 245x125x70 mm, with integrated three-stage vacuum generator and 30mm thick natural rubber foam	370245007
FBG-245-125-H90-F30G-LX2-HF-3	Vacuum gripping system for bags, 245x125x90 mm, with integrated three-stage vacuum generator and 30mm thick natural rubber foam	370245008

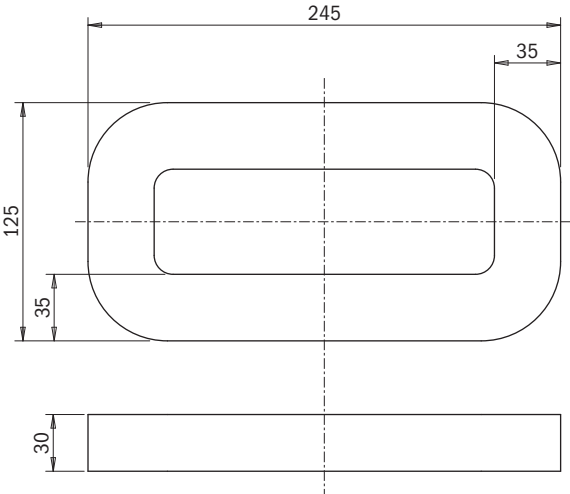


	C
370245003	97.5
370245004	118.5
370245007	97.5
370245008	118.5



Identification codes

Alphanumeric code	Spare parts	Order code
FBG-F30G-245-125	Spare natural rubber foam, 245x125 mm, 30 mm thick	370300002
FBG-F30-245-125	Spare EPDM foam, 245x125 mm, 30 mm thick	370300001



Identification codes

Alphanumeric code	Accessories	Order code
-	ISO 9409-1-50-4-M6 flange with interface for fixing directly onto the wrist of the robot	MFI-A374-A

