

# Pre-drilled vacuum gripping systems for suction cups / FGS-060-PSC with G1/4" holes for suction cups up to Ø55 mm

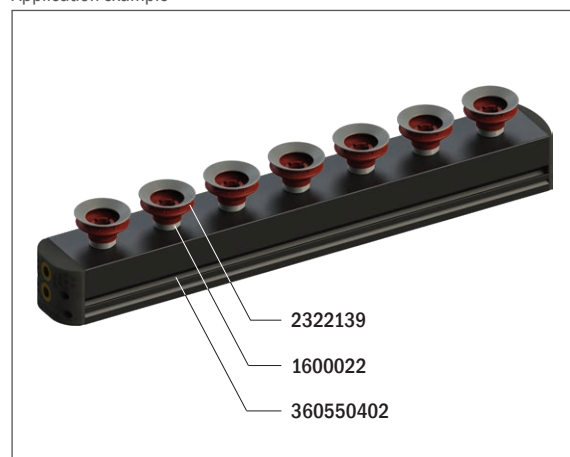


## FGS-060-XXXX-G14-PSC-55

- The FGS-060 series vacuum gripping systems, in the version that can be fitted with suction cups, is a modular and configurable solution
- Integrated EJ-LARGE-HF-3 multistage cartridges to ensure high suction flow rate and low power consumption
- Wide range of Gimatic suction cups in different shapes and materials for every possible application
- Gimatic fittings with self-closing valve and calibrated hole can be used to handle objects of different sizes / formats, offering the advantages of both technologies and the option of overturning
- Typical applications are palletization and handling in the sectors of packaging, sheet metal, glass and wood



Application example



### Technical features

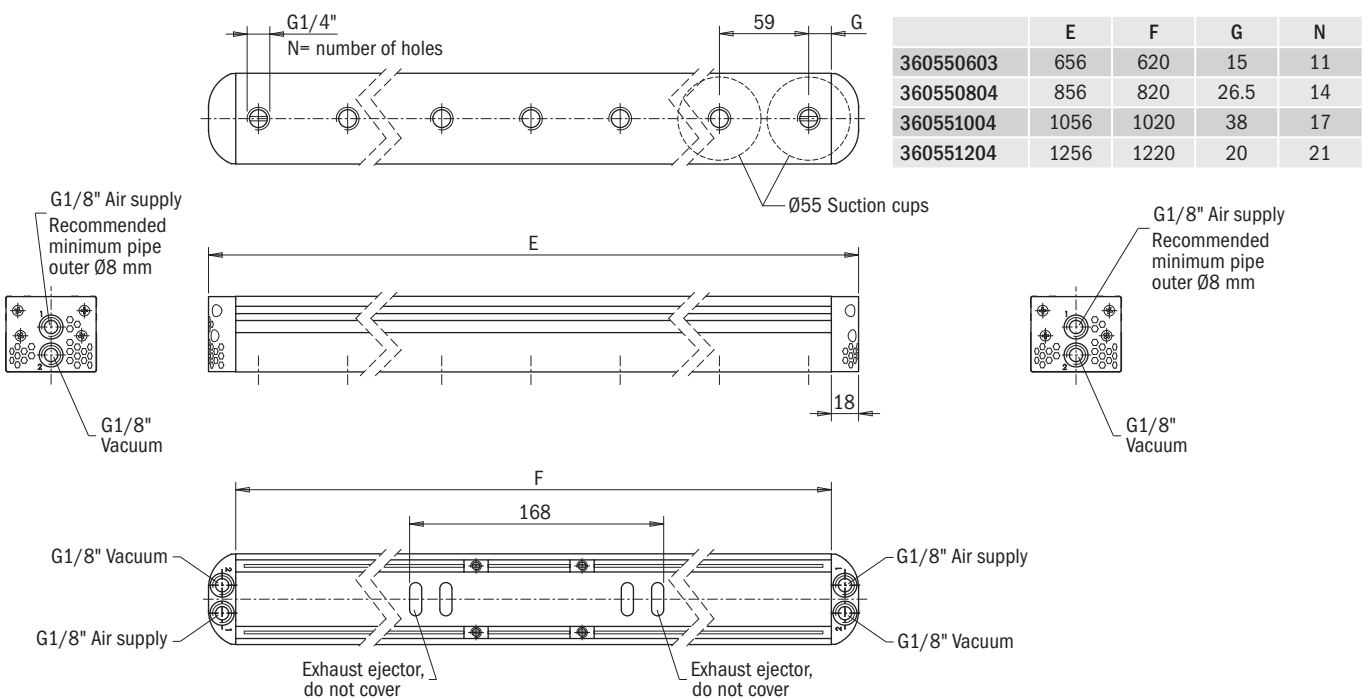
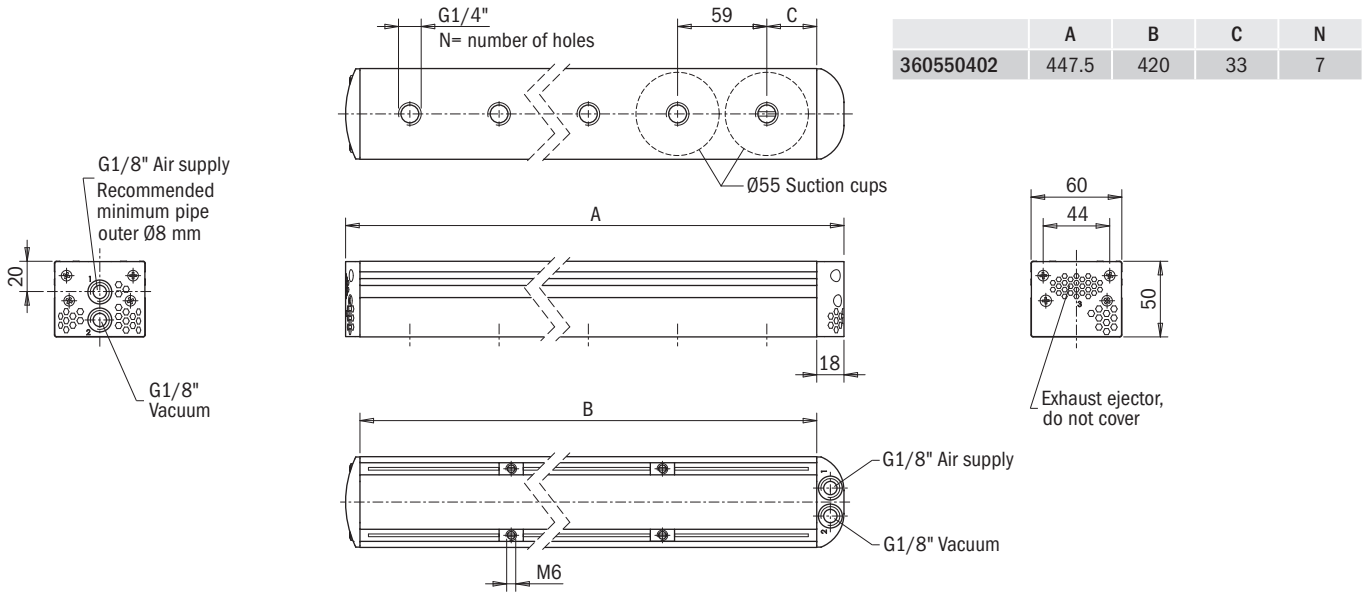
Max feed pressure	0.6 MPa
Temperature range	-30° ÷ +110 °C
Weight	1.2 kg ÷ 3.4 kg
Material	Al, NBR, PA12
Noise level	70 dB

### Suction flow rate

Model	Feed pressure [MPa]	Air consumption [NI/s]	Suction flow rate [NI/s] at different vacuum levels [kPa]								Max vacuum [kPa]
			0	-10	-20	-30	-40	-50	-60	-70	
FGS-060-0400-G14-PSC-55-EJL2XX	0.6	3.4	11.8	7	5	3.4	1.78	1.24	1.02	0.62	-73
FGS-060-0600-G14-PSC-55-EJL3XX	0.6	5.1	17.7	10.5	7.5	5.1	2.67	1.86	1.53	0.93	-73
FGS-060-0800-G14-PSC-55-EJL4XX	0.6	6.8	23.6	14	10	6.8	3.56	2.48	2.04	1.24	-73
FGS-060-1000-G14-PSC-55-EJL4XX	0.6	6.8	23.6	14	10	6.8	3.56	2.48	2.04	1.24	-73
FGS-060-1200-G14-PSC-55-EJL4XX	0.6	6.8	23.6	14	10	6.8	3.56	2.48	2.04	1.24	-73

**Identification codes**

Alphanumeric code	Description	Order code
FGS-060-0400-G14-PSC-55-EJL2XX	60x400 mm vacuum gripping system, integrated vacuum generator, G1/4" holes for up to Ø55 mm suction cup fittings	360550402
FGS-060-0600-G14-PSC-55-EJL3XX	60x600 mm vacuum gripping system, integrated vacuum generator, G1/4" holes for up to Ø55 mm suction cup fittings	360550603
FGS-060-0800-G14-PSC-55-EJL4XX	60x800 mm vacuum gripping system, integrated vacuum generator, G1/4" holes for up to Ø55 mm suction cup fittings	360550804
FGS-060-1000-G14-PSC-55-EJL4XX	60x1000 mm vacuum gripping system, integrated vacuum generator, G1/4" holes for up to Ø55 mm suction cup fittings	360551004
FGS-060-1200-G14-PSC-55-EJL4XX	60x1200 mm vacuum gripping system, integrated vacuum generator, G1/4" holes for up to Ø55 mm suction cup fittings	360551204



**Example of compatible fittings and suction cups**

Introduction

Vacuum theory

Suction cups

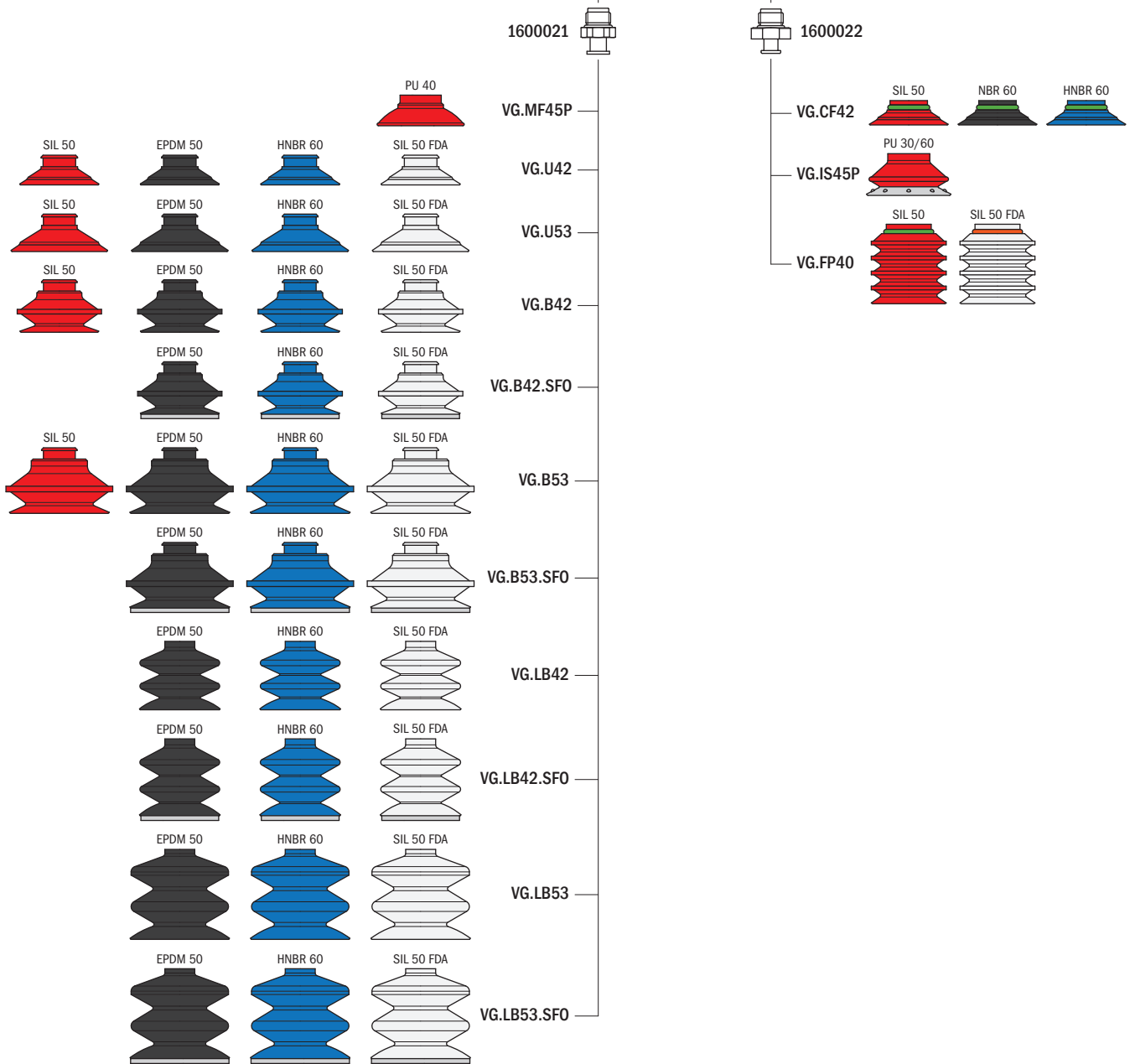
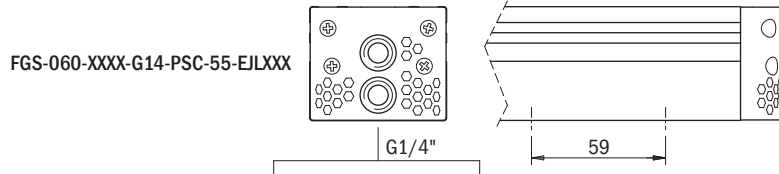
Vacuum pumps

Vacuum gripping systems

Customised solutions

Suspensions

System accessories



**Identification codes**

Drawing	Alphanumeric code	Fittings	Order code
A	FT.G14M.S75.E17	Fitting G1/4" Male with check valve and calibrated hole diameter, hexagon 17 mm	1600021
B	FT.G14M.S75.E19	Fitting G1/4" Male with check valve and calibrated hole diameter, hexagon 19 mm	1600022

