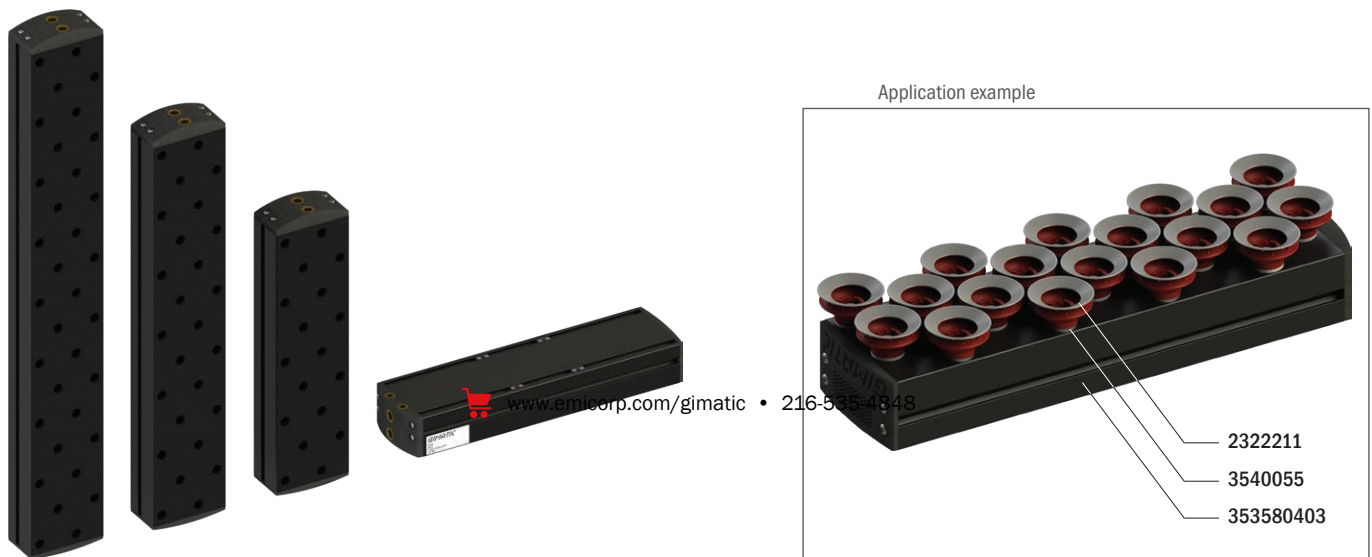


# Pre-drilled vacuum gripping systems for suction cups / FGS-120-PSC with G3/8" holes for Ø55 mm suction cups



## FGS-120-XXXX-G38-PSC-55

- The FGS-120 series vacuum gripping systems, in the version that can be fitted with suction cups, is a modular and configurable solution
- Integrated EJ-LARGE-HF-3 multistage cartridges to ensure high suction flow rate and low power consumption
- Wide range of Gimatic suction cups in different shapes and materials for every possible application
- Gimatic fittings with self-closing valve and calibrated hole can be used to handle objects of different sizes / formats, offering the advantages of both technologies and the option of overturning
- Typical applications are palletization and handling in the sectors of packaging, sheet metal, glass and wood



### Technical features

|                   |                 |
|-------------------|-----------------|
| Max feed pressure | 0.6 MPa         |
| Temperature range | -30° ÷ +110 °C  |
| Weight            | 2900 g ÷ 5600 g |
| Material          | Al, NBR, PA12   |
| Noise level       | 70 dB           |

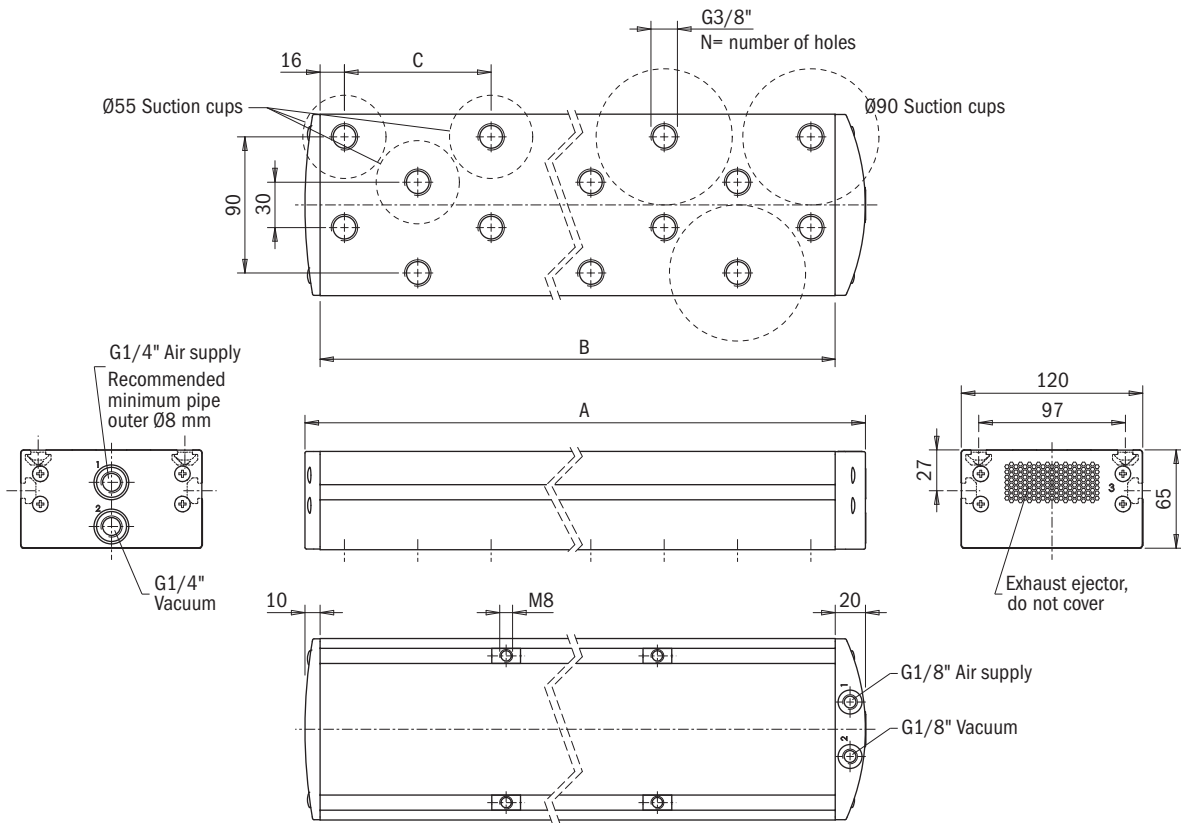
### Suction flow rate

| Model                          | Feed pressure<br>[MPa] | Air<br>consumption<br>[NI/s] | Suction flow rate [NI/s] at different vacuum levels [kPa] |      |     |     |      |      |      |      | Max vacuum<br>[kPa] |
|--------------------------------|------------------------|------------------------------|---|------|-----|-----|------|------|------|------|---------------------|
|                                |                        |                              | 0   | -10  | -20 | -30 | -40  | -50  | -60  | -70  |                     |
| FGS-120-0400-G38-PSC-35-EJL3XX | 0.6                    | 5.1                          | 17.7  | 10.5 | 7.5 | 5.1 | 2.67 | 1.86 | 1.53 | 0.93 | -73                 |
| FGS-120-0600-G38-PSC-35-EJL4XX | 0.6                    | 6.8                          | 23.6  | 14   | 10  | 6.8 | 3.56 | 2.48 | 2.04 | 1.24 | -73                 |
| FGS-120-0800-G38-PSC-35-EJL4XX | 0.6                    | 6.8                          | 23.6  | 14   | 10  | 6.8 | 3.56 | 2.48 | 2.04 | 1.24 | -73                 |

**Identification codes**

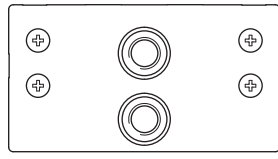
| Alphanumeric code              | Description   | Order code |
|--------------------------------|---|------------|
| FGS-120-0400-G38-PSC-55-EJL3XX | 120x400 mm vacuum gripping system, integrated vacuum generator, G3/8" holes for Ø55 mm suction cup fittings | 353580403  |
| FGS-120-0600-G38-PSC-55-EJL4XX | 120x600 mm vacuum gripping system, integrated vacuum generator, G3/8" holes for Ø55 mm suction cup fittings | 353580604  |
| FGS-120-0800-G38-PSC-55-EJL4XX | 120x800 mm vacuum gripping system, integrated vacuum generator, G3/8" holes for Ø55 mm suction cup fittings | 353580804  |

|           | A   | B   | C    | N  |
|-----------|-----|-----|------|----|
| 353580403 | 450 | 420 | 97   | 18 |
| 353580604 | 650 | 620 | 98   | 26 |
| 353580804 | 850 | 820 | 98.5 | 34 |

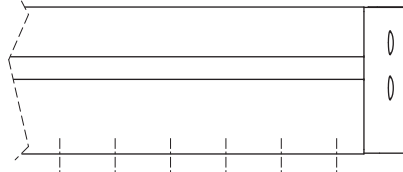


**Example of compatible fittings and suction cups**

FGS-120-XXXX-G38-PSC-55-EJLXXX



G3/8"



RG.0209200004  
G3/8" - G1/4"

3540055  
G3/8"



Introduction

Vacuum theory

Suction cups

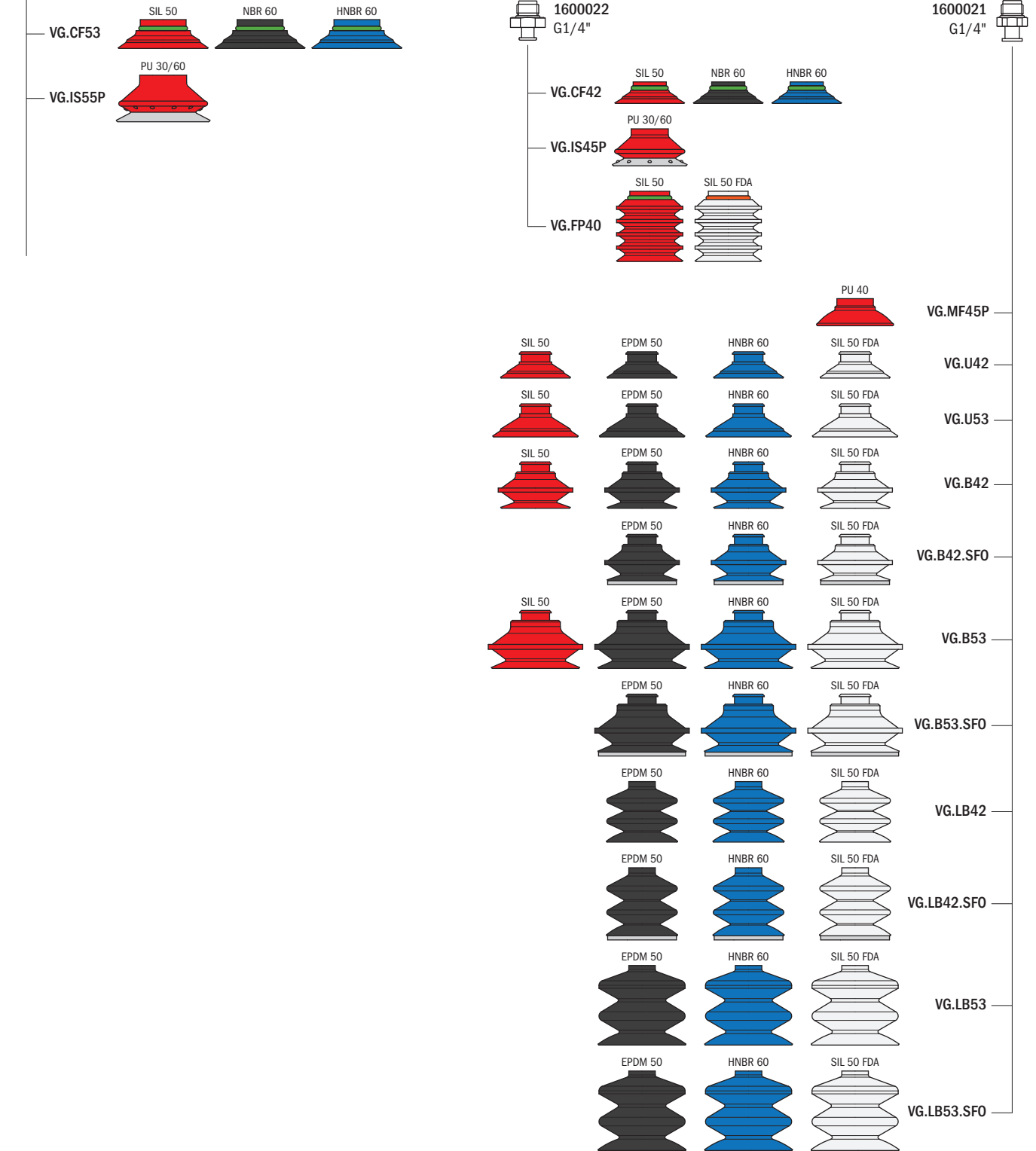
Vacuum pumps

Vacuum gripping systems

Customised solutions

Suspensions

System accessories



| Identification codes |                   |   |               |
|----------------------|-------------------|---|---------------|
| Drawing              | Alphanumeric code | Fittings  | Order code    |
| A                    | FT.G38M.S75.E8    | Fitting G3/8" Male with check valve and calibrated hole diameter, hexagon 8 mm  | 3540055       |
| B                    | –                 | Reducer G3/8" male - G1/4" female, hexagon 19 mm (10 pieces)                    | RG.0209200004 |
| C                    | FT.G14M.S75.E17   | Fitting G1/4" Male with check valve and calibrated hole diameter, hexagon 17 mm | 1600021       |
| D                    | FT.G14M.S75.E19   | Fitting G1/4" Male with check valve and calibrated hole diameter, hexagon 19 mm | 1600022       |

