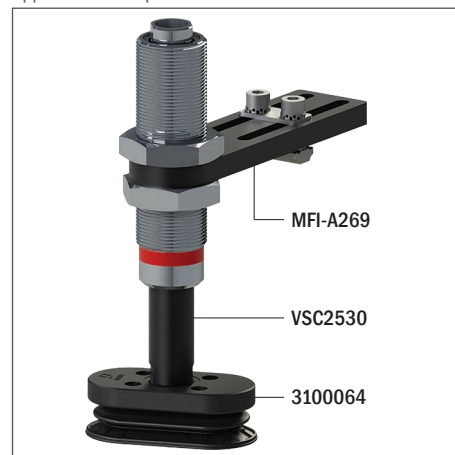


VG.MB030X60 oval bellows suction cup with non-slip cleats in NBR

- Ideal for handling oiled sheet metal in stamping processes
- Handling of flat glass and shaped glass
- Special cleats that increase friction on lubricated surfaces
- Ideal for applications where contamination of the material must be avoided (PWIS)
- Bellows suction cups in NBR, 60 Shore, with vulcanised fitting
- Internal supports help to prevent deformation of thin sheet metal
- Suitable for handling flat and slightly curved surfaces thanks to the wide lip

NEW

Application example



Technical data

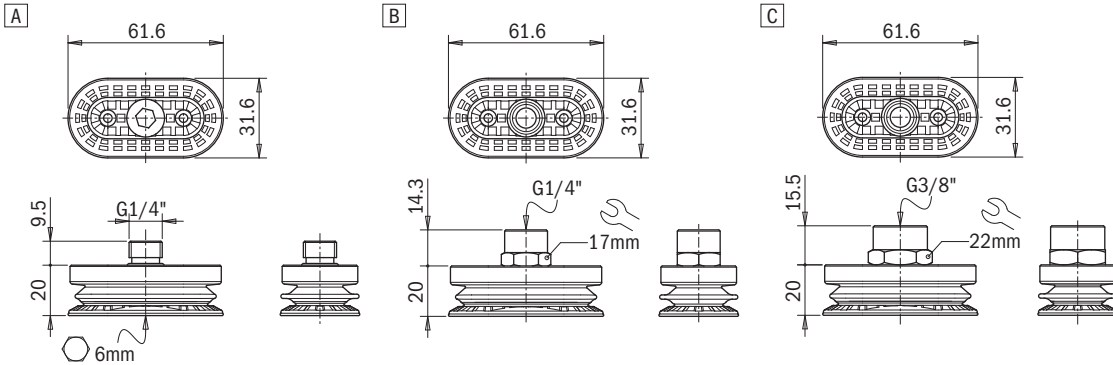
Material	Lifting force [N] perpendicular to the surface, at various vacuum levels			Lifting force [N] parallel to the surface, at various vacuum levels			Volume [cm ³]	Min curve radius [mm]	Max vert. movement [mm]	Suction cup weight [g]
	-20 kPa	-60 kPa	-90 kPa	-20 kPa	-60 kPa	-90 kPa				
NBR 60	35	73	98	23	51	84	10.5	18	7	20

Technical features

Material	Colour	Hardness	Temperature range
NBR 60	Black	60 Shore	-30 ÷ +100 °C

Identification codes

Drawing	Alphanumeric code	Suction cups with fitting	Ordering code
A	VG.MBO30X60N.60.G14M	VG.MBO30X60 suction cup, NBR, 60 Shore, G1/4" male	3100064
B	VG.MBO30X60N.60.G14F	VG.MBO30X60 suction cup, NBR, 60 Shore, G1/4" female	3100065
C	VG.MBO30X60N.60.G38F	VG.MBO30X60 suction cup, NBR, 60 Shore, G3/8" female	3100067



Identification codes

Drawing	Alphanumeric code	Suction cups	Order code
A	VG.MBO30X60N.60	VG.MBO30X60 suction cup, NBR, 60 Shore	3100068

