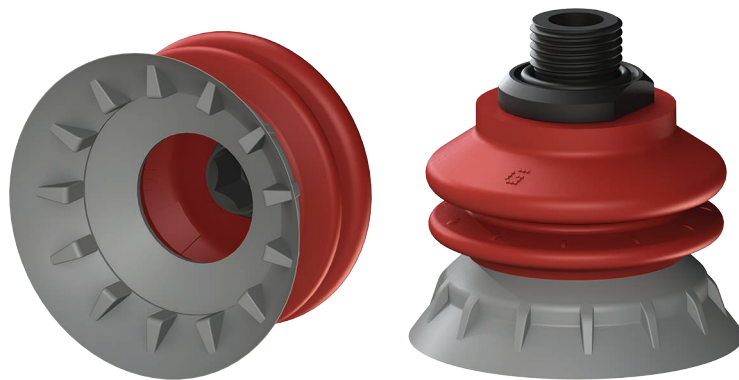
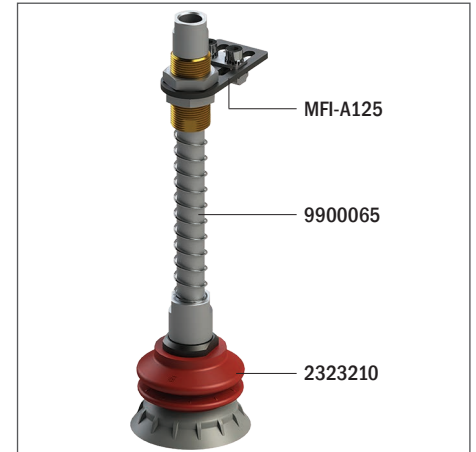


## Flowpack suction cups in Polyurethane VG.XG60P

- Ideal for handling bags, sacks and flexible packaging containing liquids and solids
- Version with 2.5 bellows
- Polyurethane suction cups with double hardness, 30/70 Shore
- Rigid bellows (70 Shore) for greater gripping stability, suitable for applications with elevated cycle rates
- The lip of the suction cup, which is both thin and flexible, was designed to optimise the grip on difficult-to-handle flow packs and to prevent damage to the gripping surface



Application example



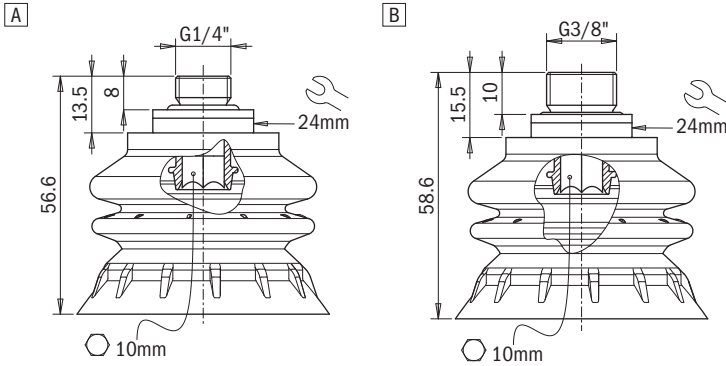
### Technical data

Material	Lifting force [N] perpendicular to the surface, at various vacuum levels			Lifting force [N] parallel to the surface, at various vacuum levels			Volume [cm <sup>3</sup> ]	Min curve radius [mm]	Max vertical movement [mm]	Suction cup weight [g]
	-20 kPa	-60 kPa	-90 kPa	-20 kPa	-60 kPa	-90 kPa				
PU30/70	36.8	62.5	–	–	–	–	7.6	50	4	8

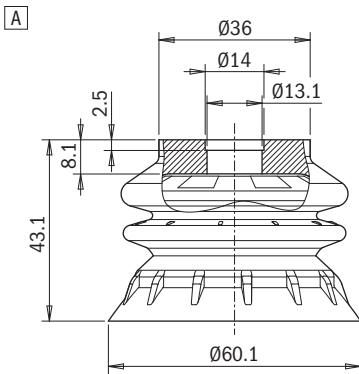
### Technical features

Material	Colour	Hardness	Temperature range
Polyurethane PU, 30/70 Shore	Grey / Red	30/70 Shore	+10 ÷ +45 °C

Identification codes			
Drawing	Alphanumeric code	Suction cups with fitting	Order code
A	VG.XG60P.30/70.G14M	VG.XG60P suction cup, polyurethane, 30/70 Shore, G1/4" male	2323209
B	VG.XG60P.30/70.G38M	VG.XG60P suction cup, polyurethane, 30/70 Shore, G3/8" male	2323210



Identification codes			
Drawing	Alphanumeric code	Suction cups	Order code
A	VG.XG60P.30/70	VG.XG60P suction cup, polyurethane, 30/70 Shore	2323208



Identification codes			
Drawing	Alphanumeric code	Fittings	Order code
A	FT.G14M.E10	G1/4" male fitting	1900013
B	FT.G38M.E10	G3/8" male fitting	1900037

