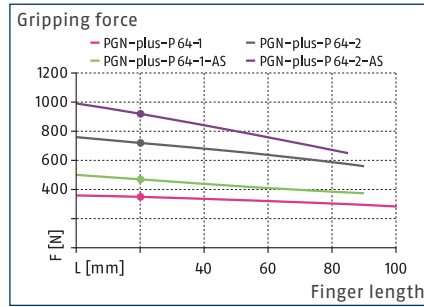


PGN-plus-P 64

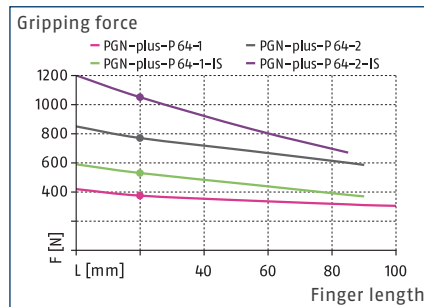
Universal gripper



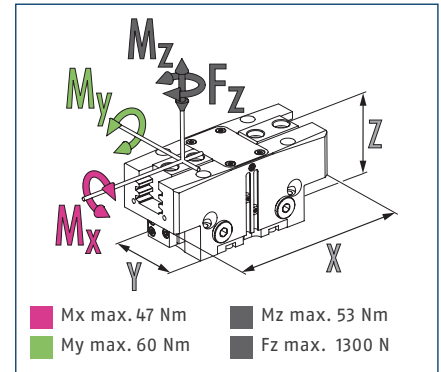
Gripping force O.D. gripping



Gripping force I.D. gripping



Dimensions and maximum loads



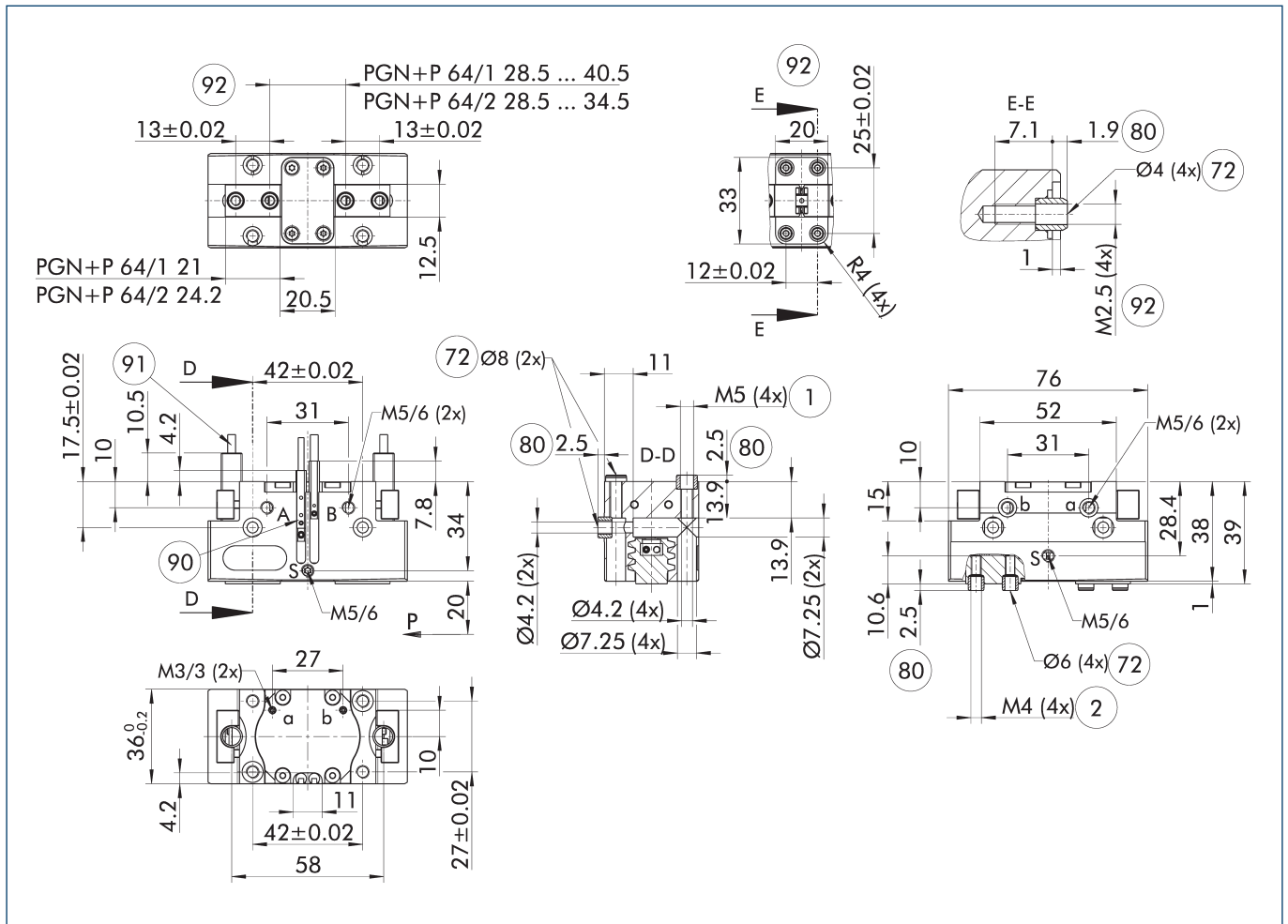
① The indicated moments and forces are static values, apply for each base jaw and may appear simultaneously. Loads may additionally occur to the moment produced by the gripping force itself.

Technical data

Description		PGN-plus-P 64-1	PGN-plus-P 64-2	PGN-plus-P 64-1-AS	PGN-plus-P 64-2-AS	PGN-plus-P 64-1-IS	PGN-plus-P 64-2-IS
ID		0318496	0318497	0318498	0318499	0318500	0318501
Stroke per jaw	[mm]	6	3	6	3	6	3
Closing/opening force	[N]	350/375	720/770	470/-	920/-	-/530	-/1050
Min. spring force	[N]			120	200	155	280
Weight	[kg]	0.27	0.27	0.35	0.35	0.35	0.35
Recommended workpiece weight	[kg]	1.75	3.6	1.75	3.6	1.75	3.6
Cylinder volume per double stroke	[cm³]	15	15	24	24	27	27
Min./nom./max. operating pressure	[bar]	2.5/6/8	2.5/6/8	4/6/6.5	4/6/6.5	4/6/6.5	4/6/6.5
Min./max. air purge pressure	[bar]	0.5/1	0.5/1	0.5/1	0.5/1	0.5/1	0.5/1
Closing/opening time	[s]	0.02/0.02	0.02/0.02	0.02/0.04	0.02/0.04	0.04/0.02	0.04/0.02
Closing/opening time with spring	[s]			0.07	0.07	0.07	0.07
Max. permissible finger length	[mm]	100	90	90	85	90	85
Max. permissible weight per finger	[kg]	0.4	0.4	0.4	0.4	0.4	0.4
IP protection class		40	40	40	40	40	40
Min./max. ambient temperature	[°C]	5/90	5/90	5/90	5/90	5/90	5/90
Repeat accuracy	[mm]	0.01	0.01	0.01	0.01	0.01	0.01
Dimensions X x Y x Z	[mm]	76 x 36 x 39	76 x 36 x 39	76 x 36 x 57	76 x 36 x 57	76 x 36 x 57	76 x 36 x 57
Options and their characteristics							
Dustproof version		1317542	1317543	1317545	1317548	1317549	1317558
IP protection class		64	64	64	64	64	64
Weight	[kg]	0.34	0.34	0.42	0.42	0.42	0.42
Corrosion-protected version		38318496	38318497	38318498	38318499	38318500	38318501
High-temperature version		39318496	39318497	39318498	39318499	39318500	39318501
Min./max. ambient temperature	[°C]	5/130	5/130	5/130	5/130	5/130	5/130
Precision version		0318502	0318503	0318504	0318505		

① It may take a few 100 gripping cycles until the full gripping force (as indicated in the data table) will be available.

Main view



The drawing shows the gripper in the basic version with closed jaws, without dimensional consideration of the options described below.

① As an alternative/in addition to spring-assisted mechanical gripping force maintenance, the SDV-P pressure maintenance valve can be used for I.D. and O.D. gripping (see "Accessories" section of catalog).

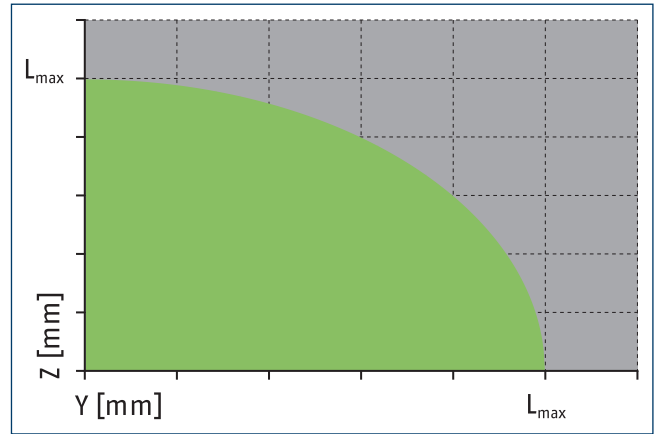
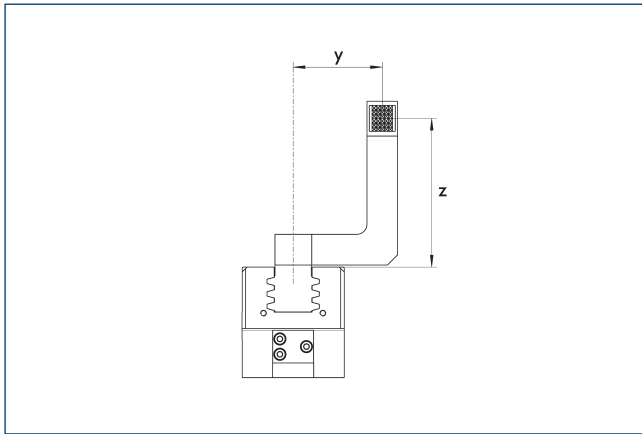
- A, a Main / direct connection, gripper opening
- B, b Main / direct connection, gripper closing
- S Air purge connection
- ① Gripper connection
- ② Finger connection
- 72 Fit for centering sleeves

- 80 Depth of the centering sleeve hole in the counter part
- 90 Sensor MMS 22..
- 91 Sensor IN ...
- 92 Screw connection with centering for customized mounting (these centering sleeves are not included in the scope of delivery)

PGN-plus-P 64

Universal gripper

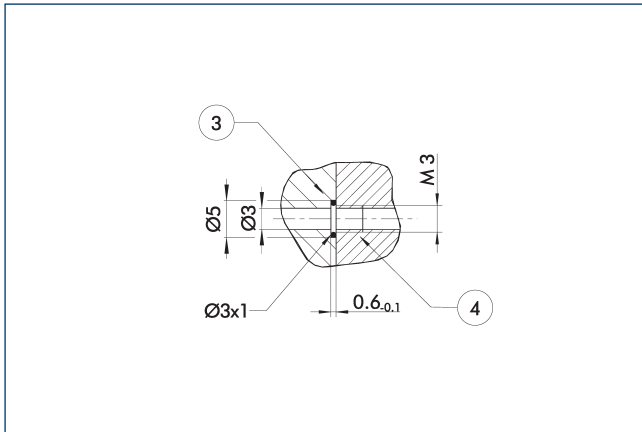
Maximum permitted finger projection



■ Permitted range ■ Inadmissible range

L_{max} is equivalent to the maximum permitted finger length, see the technical data table.

Hose-free direct connection M3

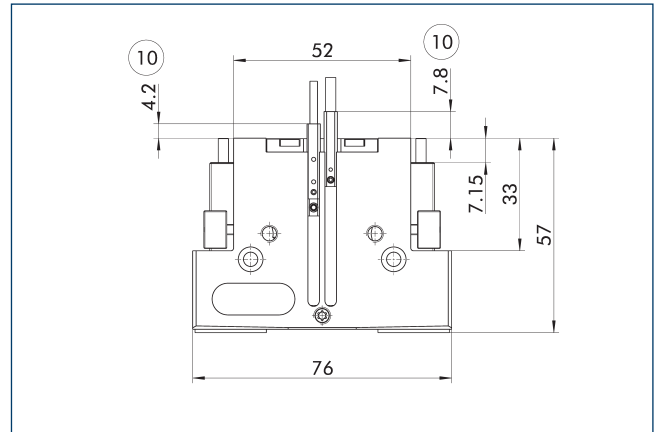


③ Adapter

④ Grippers

The direct connection is used for supplying compressed air without hoses. Instead, the pressure medium is fed through bore-holes in the mounting plate.

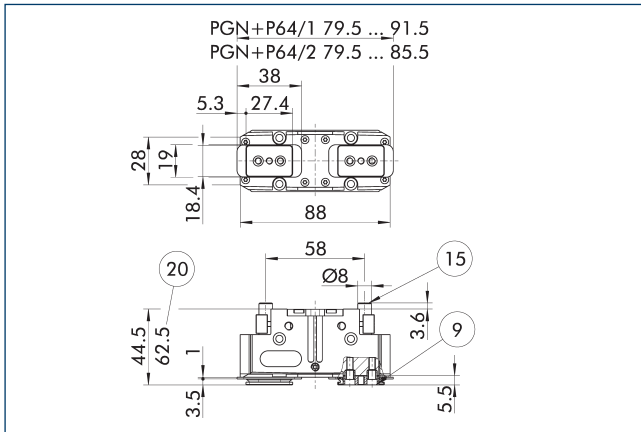
Gripping force maintenance version AS/IS



⑩ Projection applies only for AS version

The mechanical gripping force maintenance device ensures that a minimum clamping force will be applied even if there is a drop in pressure. In the AS/S variant this acts as a closing force, in the IS variant as an opening force. Besides this, gripping force maintenance can be used to increase gripping force or for single actuated gripping.

Dustproof version



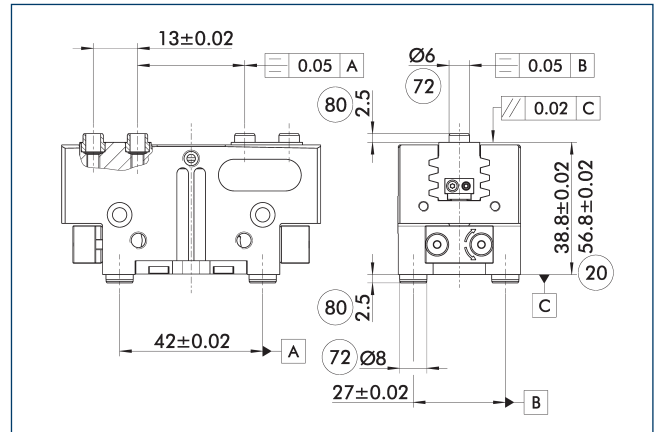
- ⑨ For mounting screw connection diagram, see basic version
- ⑮ Sealing bolt
- ⑳ For version AS/IS

The "dustproof" option increases the degree of protection against penetrating substances. The assembly diagram shifts by the height of the intermediate jaw. The finger length is still measured from the upper edge of the gripper housing.

Description	ID
Dust cover	
SAD PGN-plus-P 64	1347481

- ① The "dustproof" option can either be ordered as a pre-mounted gripper version or can be retrofitted to the gripper using the "SAD PGN-plus-P" retrofit kit.

Precision version



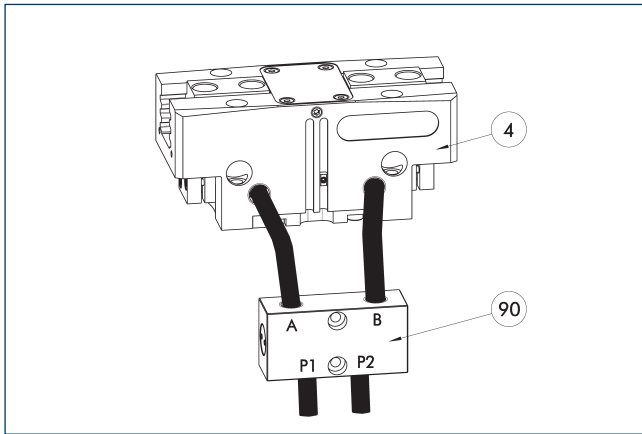
- ⑳ For version AS/IS
- ㉓ Fit for centering sleeves
- ㉔ Depth of the centering sleeve hole in the counter part

The indicated tolerances just refer to the variants of precision versions shown in the chart of technical specifications. All other variants of precision versions are available on request.

PGN-plus-P 64

Universal gripper

SDV-P pressure maintenance valve



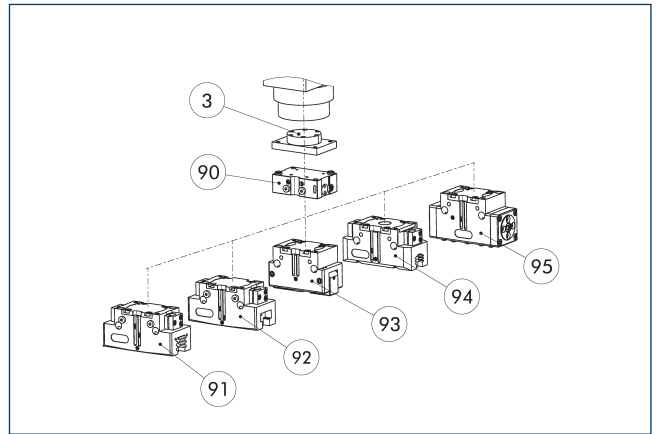
- ④ Grippers
- ⑨⑩ SDV-P pressure maintenance valve

The SDV-P pressure maintenance valve ensures in emergency STOP situations that the pressure in the piston chamber of pneumatic gripper, swivel, linear, and quick-change modules is temporarily maintained.

Description	ID	Recommended hose diameter [mm]
Pressure maintenance valve		
SDV-P 04	0403130	6
SDV-P 07	0403131	8
Pressure maintenance valve with air bleed screw		
SDV-P 04-E	0300120	6
SDV-P 07-E	0300121	8

- ① In order to achieve the specified closing and opening time for each gripper variant, the recommended hose diameter must be used. The direct allocation of the respective variant of the gripper for the respective SDV-P can be found at schunk.com.

SDV-P E-P pressure maintenance valve

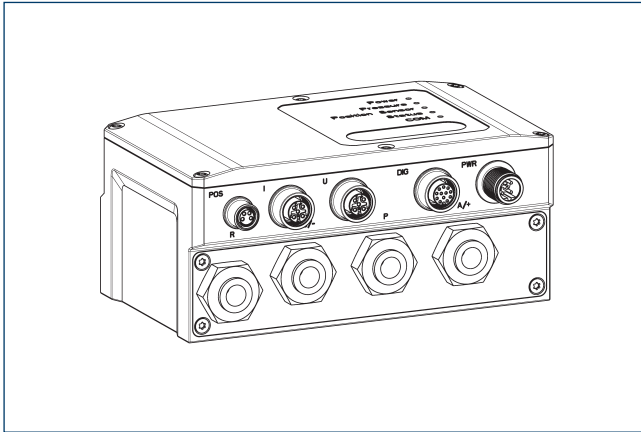


- ③ Adapter
- ⑨⑩ SDV-P E-P pressure maintenance valve
- ⑨① 2-finger parallel gripper
- ⑨② 2-finger parallel gripper JGP-P
- ⑨③ 2-finger angular gripper PWG-plus
- ⑨④ 2-finger parallel gripper PGB PGN-plus/PGN-plus-P
- ⑨⑤ Sealed DPG-plus gripper

The SDV-P E-P pressure maintenance valves ensure that the pressure in the piston chamber is maintained temporarily during an emergency stop. SDV-P E-P can be directly connected to the listed grippers without the need for additional pneumatic hoses.

Description	ID	
Pressure maintenance valve		
SDV-P 64-E-P	0300124	

Pneumatic positioning device PPD

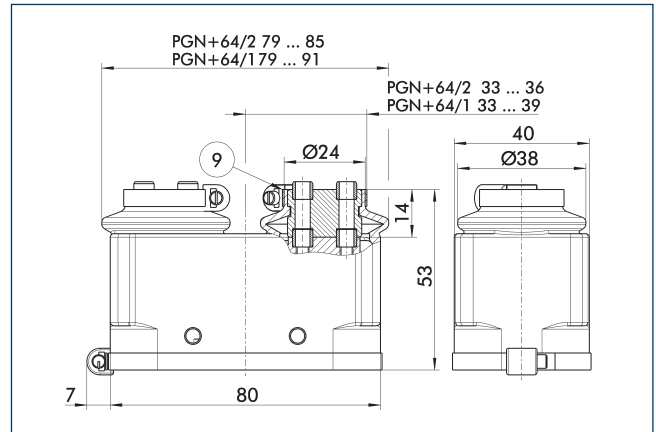


The PPD allows flexibility in all applications with pneumatic grippers through free positioning, gripping force and speed adjustment.

Description	ID	
Pneumatic positioning device		
PPD 10-IOL	1540698	
Adapter		
A GGN0804-1204-A	1540691	
IO-Link connection cable		
KA GGN1205-1212-IOL-00100-A	1540697	
Voltage supply connection cable - cable track compatible		
KA GLN12B05-LK-01000-A	1540660	
Cable extension		
KV GGN0804-I0-00150-A	1540662	
KV GGN0804-I0-00300-A	1540663	
Assembly set		
Assembly set PPD	1540705	

① In addition to the PPD, a position sensor (SCHUNK IO-Link sensor or analog sensor (4...20 mA)) is required.

Protective cover HUE PGN-plus 64



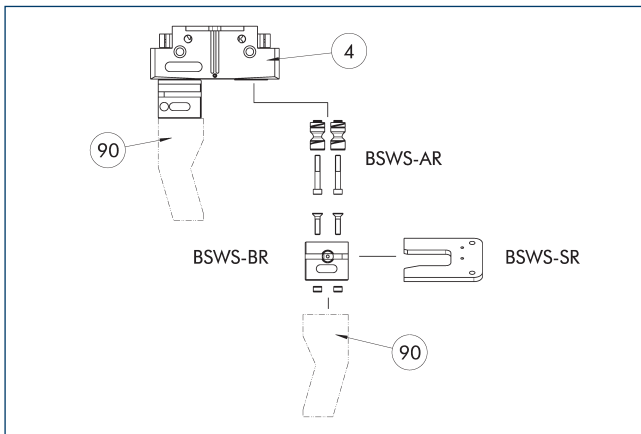
⑨ For mounting screw connection diagram, see basic version

The HUE protective cover fully protects the gripper against external influences. The cover is suitable for applications of up to IP65 if an additional sealing of the cover bottom is provided. For detailed information, please see the HUE series. The connection diagram shifts by the height of the intermediate jaw.

Description	ID	IP protection class
Protection cover		
HUE PGN-plus 64	0371480	65

① The HUE protective cover is not suitable for use on grippers with gripping force maintenance. An inductive monitoring of the gripper in connection with the HUE protective cover is not possible. SCHUNK recommends the use of magnetic sensors that are approved for the respective gripper variant.

Jaw quick-change system BSW-S-R



- ④ Grippers
- ⑨ Customized gripper fingers

There are various jaw quick-change systems available for the gripper. For detailed information, please refer to the corresponding product.

Description	ID	Scope of delivery
Jaw quick-change system adapter pin		
BSWS-AR 64	0300092	2
Quick-change jaw system base		
BSWS-BR 64	1555914	1
Storage system		
BSWS-SR 64	1555950	1
Attachment kit for proximity switch		
AS-IN40-BSWS-SR 50/64	1561455	1
Inductive proximity switch		
IN 40-S-M12	0301574	
IN 40-S-M8	0301474	
INK 40-S	0301555	

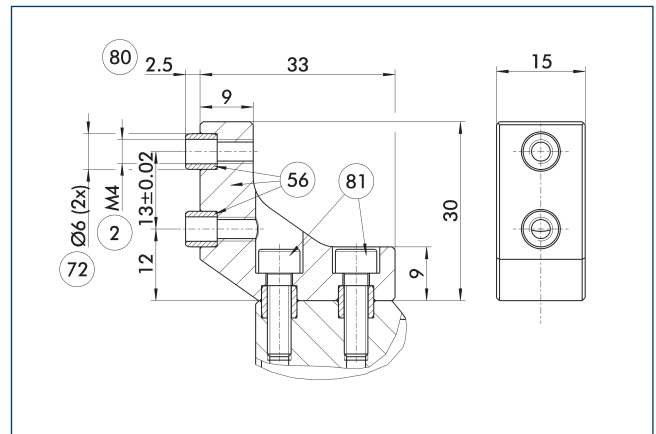
- ① If the operating pressure is higher than 6 bar, suitability for use beyond the application limits must be checked. Only systems that are listed in the table, can be used.

Fields of application

Series	Size	Variant	Suitability
PGN-plus-P	64	-1 (6 bar)	■■■■
PGN-plus-P	64	-1-AS/1-IS (6 bar)	■■■■
PGN-plus-P	64	-2 (6 bar)	■■■■
PGN-plus-P	64	-2-AS/2-IS (6 bar)	■■■■
Legend			
■■■■	Can be combined without restrictions		
■■□□	Use with restrictions (see loading limits)		
□□□□	cannot be combined		

The load limits for describing the application limits can be found in the catalog chapter of the corresponding accessories.

ZBA-L-plus 64 intermediate jaws



- ② Finger connection
- ⑤ Included in the scope of delivery
- ⑦ Fit for centering sleeves
- ⑧ Depth of the centering sleeve hole in the counter part
- ⑨ Not included in the scope of delivery

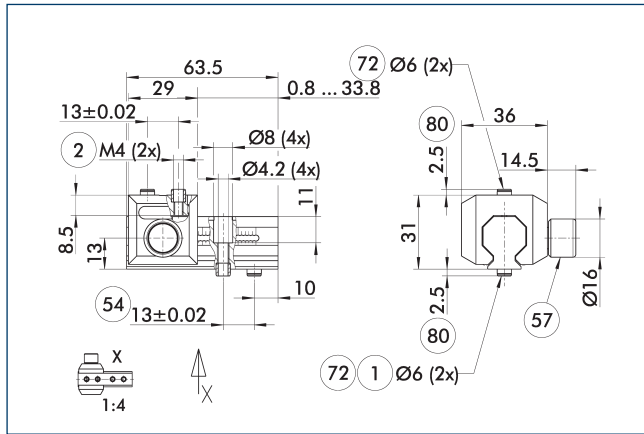
The optional ZBA-L-plus intermediate jaws allow the screw connection diagram of the top jaws to be rotated by 90°. This makes it easier to design and produce top jaws (particularly for long versions) because no deep through-bores are required.

Description	ID	Material	Finger interface	Scope of delivery
Intermediate jaw				
ZBA-L-plus 64	0311722	Aluminum	PGN-plus 64	1

PGN-plus-P 64

Universal gripper

UZB 64 universal intermediate jaw



- ① Gripper connection
- ② Finger connection
- ⑤4 Optional right or left connection
- ⑤7 Locking
- ⑦2 Fit for centering sleeves
- ⑧0 Depth of the centering sleeve hole in the counter part

The drawing shows the UZB universal intermediate jaw.

Description	ID	Grid dimension
		[mm]
Universal intermediate jaw		
UZB 64	0300042	1.5
Finger blank		
ABR-PGZN-plus 64	0300010	
SBR-PGZN-plus 64	0300020	

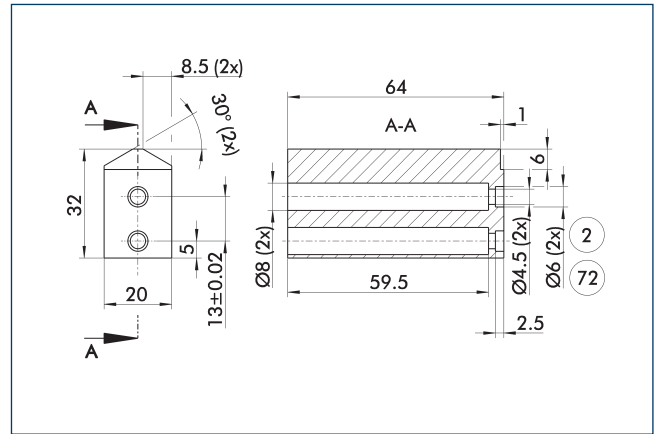
① If the operating pressure is higher than 6 bar, suitability for use beyond the application limits must be checked.

Fields of application

Series	Size	Variant	Suitability
PGN-plus-P	64	-1 (6 bar)	■■■■
PGN-plus-P	64	-1-AS/1-IS (6 bar)	■■□□
PGN-plus-P	64	-2 (6 bar)	■■□□
PGN-plus-P	64	-2-AS/2-IS (6 bar)	□□□□
Legend			
■■■■	Can be combined without restrictions		
■■□□	Use with restrictions (see loading limits)		
□□□□	cannot be combined		

The load limits for describing the application limits can be found in the catalog chapter of the corresponding accessories.

Finger blanks ABR/SBR-PGZN-plus 64



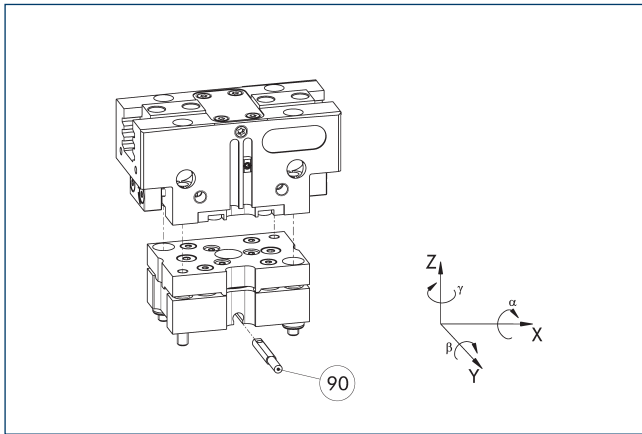
- ② Finger connection
- ⑦2 Fit for centering sleeves

The drawing shows the finger blank which can be reworked by the customer.

Description	ID	Material	Scope of delivery
Finger blank			
ABR-PGZN-plus 64	0300010	Aluminum (3.4365)	1
SBR-PGZN-plus 64	0300020	Steel (1.7131)	1

① In the PGN-plus-P gripper series, the use of finger blanks results in a limitation of the closing stroke. Please check this in detail in advance using the CAD data and adjust the reworking of the fingers accordingly.

Tolerance compensation unit TCU

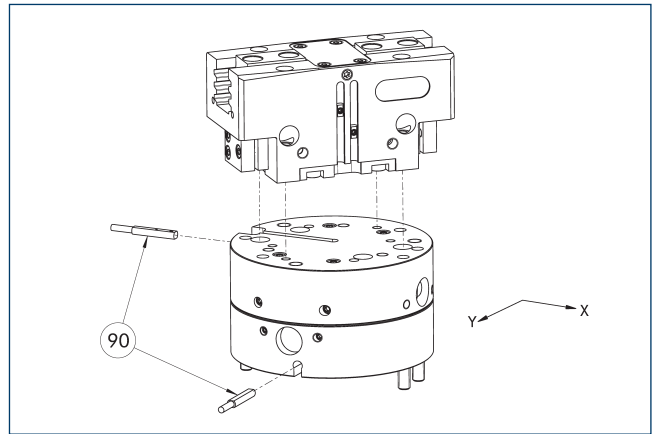


90 Monitoring of locking

Grippers can be directly mounted without an adapter plate. Tolerance compensation unit and gripper have an identical screw connection diagram. Therefore the tolerance compensation units can be assembled later. Please consider the additional assembly height of the tolerance compensation unit. For details please refer to our catalog robot accessories.

Description	ID	Locking	Deflection	Often combined
Compensation unit				
TCU-P-064-3-MV	0324774	yes	$\pm 1^\circ / \pm 1,5^\circ / \pm 2^\circ$	●
TCU-P-064-3-OV	0324775	no	$\pm 1^\circ / \pm 1,5^\circ / \pm 2^\circ$	

Compensation unit AGE-F



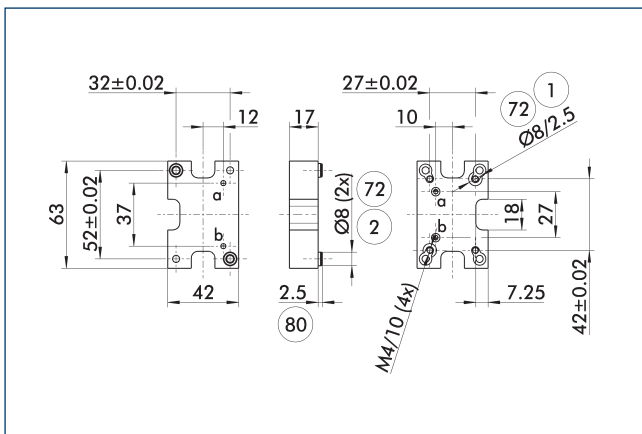
90 Monitoring

The unit has direct connection possibilities for different grippers of the PGN-plus, PGN-plus-P and PZN-plus series. For more detailed information, please refer to the main view.

Description	ID	Compensation XY [mm]	Reset force [N]	Often combined
Compensation unit				
AGE-F-XY-063-1	0324940	± 4	12	
AGE-F-XY-063-2	0324941	± 4	16	
AGE-F-XY-063-3	0324942	± 4	20	●

① Due to the interfering contour, monitoring of the gripper is not possible.

Adapter plate for PGN-plus 64

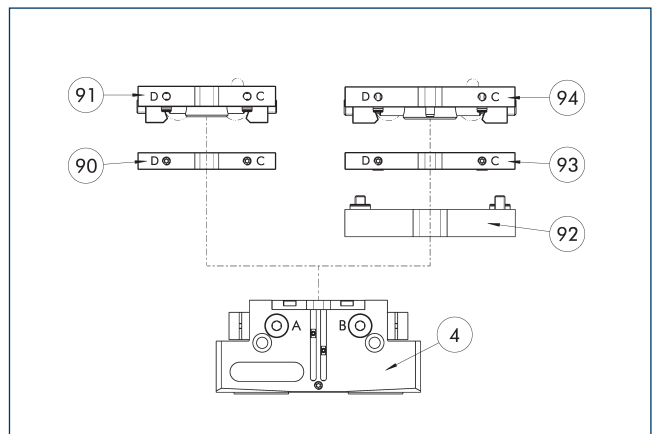


- ① Robot-side connection
- ② Tool-side connection
- ⑦ Fit for centering sleeves
- ⑧ Depth of the centering sleeve hole in the counter part

The adapter plate has integrated air feed-throughs in order to be able to use the hose-free direct connection of the appropriate gripper.

Description	ID
Tool side	
A-CWA-080-064-P	0305784

Compact change system for grippers



- ④ Grippers
- ⑨ CWA compact change adapter
- ⑩ CWK compact change master
- ⑨ A-CWA adapter plate
- ⑩ CWA compact change adapter
- ⑩ CWK compact change master

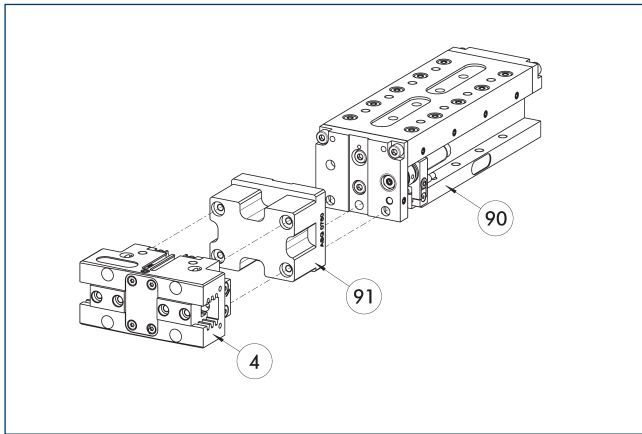
Grippers can be directly mounted without an adapter plate. For details see our catalog Gripping or Robot Accessories.

Description	ID
Tool side	
A-CWA-080-064-P	0305784
CWA compact change adapter	
CWA-064-P	0305765
CWK compact change master	
CWK-064-P	0305764

PGN-plus-P 64

Universal gripper

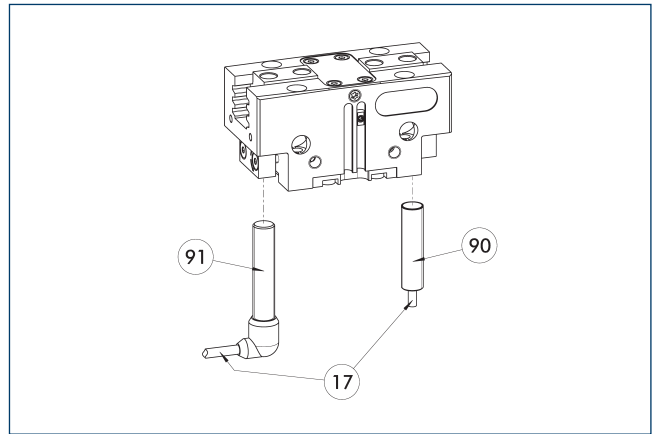
Modular Assembly Automation



- ④ Grippers
- ⑨① ASG adapter plate
- ⑨① Linear module CLM/KLM/LM/ELP/ELM/ELS/HLM

Grippers and linear modules can be combined with standard adapter plates from the modular assembly system. For more information see our main catalog "Modular Assembly Automation".

Inductive proximity switches



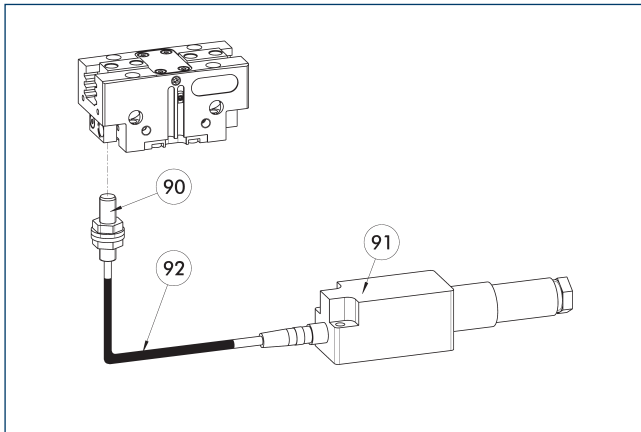
- ①⑦ Cable outlet
- ⑨① Sensor IN...-SA
- ⑨① Sensor IN ...

Directly mounted end position monitoring.

Description	ID	Often combined
Inductive proximity switch		
IN 80-S-M12	0301578	
IN 80-S-M8	0301478	●
INK 80-S	0301550	
Inductive proximity switch with lateral cable outlet		
IN 80-S-M12-SA	0301587	
IN 80-S-M8-SA	0301483	●
INK 80-S-SA	0301566	
Connection cables		
KA BG08-L 3P-0300-PNP	0301622	●
KA BG08-L 3P-0500-PNP	0301623	
KA BG12-L 3P-0500-PNP	30016369	
KA BW08-L 3P-0300-PNP	0301594	
KA BW08-L 3P-0500-PNP	0301502	
KA BW12-L 3P-0300-PNP	0301503	
KA BW12-L 3P-0500-PNP	0301507	
Clip for connector/socket		
CLI-M12	0301464	
CLI-M8	0301463	
Cable extension		
KV BG12-SG12 3P-0030-PNP	0301999	
KV BG12-SG12 3P-0060-PNP	0301998	
KV BW08-SG08 3P-0030-PNP	0301495	
KV BW08-SG08 3P-0100-PNP	0301496	
KV BW08-SG08 3P-0200-PNP	0301497	●
KV BW12-SG12 3P-0030-PNP	0301595	
KV BW12-SG12 3P-0100-PNP	0301596	
KV BW12-SG12 3P-0200-PNP	0301597	
Sensor distributor		
V2-M12	0301776	●
V2-M8	0301775	●
V4-M8	0301746	
V8-M8	0301751	

- ① Two sensors are required per unit for monitoring two positions. On option, extension cables and sensor distributors are available. Additional product variants of the sensor, and further information and technical data can be found in the catalog chapter sensor system.

Flexible position sensor



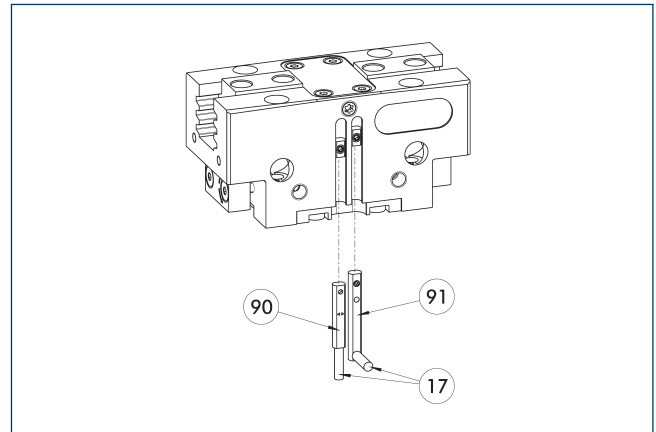
- ⑨⑩ FPS-S sensor
- ⑨① FPS-F5 evaluation electronic
- ⑨② Cable extension

Flexible position monitoring of up to five positions.

Description	ID	
Attachment kit for FPS		
AS-FPS-PGN-plus-P 64/80	1363890	
Sensor		
FPS-S M8	0301704	
Evaluation electronics		
FPS-F5	0301805	
Cable extension		
KV BG08-SG08 3P-0050	0301598	
KV BG08-SG08 3P-0100	0301599	

- ① When using an FPS system, an FPS sensor (FPS-S) as well as an electronic processor (FPS-F5 / F5 T) are required for each gripper as well as a mounting kit (AS), if listed. Cable extensions (KV) are optionally available – see catalog chapter “Accessories.”

Electronic magnetic switch MMS



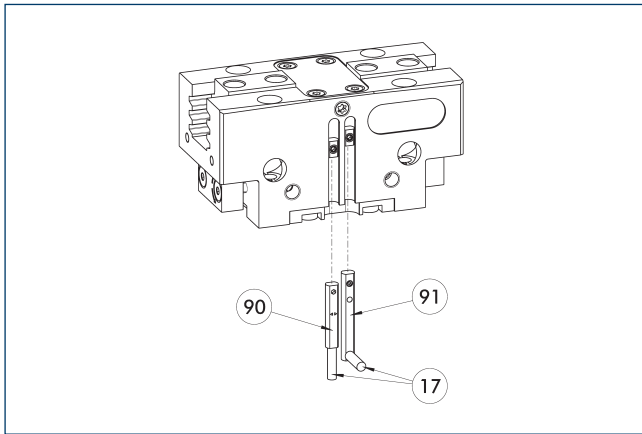
- ①⑦ Cable outlet
- ①⑧ Sensor MMS 22...
- ①⑨ Sensor MMS 22..
- ①⑩ Sensor MMS 22...

End position monitoring for mounting in the C-slot.

Description	ID	Often combined
Electronic magnetic switch		
MMS 22-S-M8-PNP	0301032	●
MMSK 22-S-PNP	0301034	
Electronic magnetic switches with lateral cable outlet		
MMS 22-S-M8-PNP-SA	0301042	●
MMSK 22-S-PNP-SA	0301044	
Connection cables		
KA BG08-L 3P-0300-PNP	0301622	●
KA BG08-L 3P-0500-PNP	0301623	
KA BW08-L 3P-0300-PNP	0301594	
KA BW08-L 3P-0500-PNP	0301502	
Clip for connector/socket		
CLI-M8	0301463	
Cable extension		
KV BW08-SG08 3P-0030-PNP	0301495	
KV BW08-SG08 3P-0100-PNP	0301496	
KV BW08-SG08 3P-0200-PNP	0301497	●
Sensor distributor		
V2-M8	0301775	●
V4-M8	0301746	
V8-M8	0301751	

- ① Two sensors are required per unit for monitoring two positions. On option, extension cables and sensor distributors are available. Additional product variants of the sensor, and further information and technical data can be found in the catalog chapter sensor system.

Programmable magnetic switch MMS 22-PI1



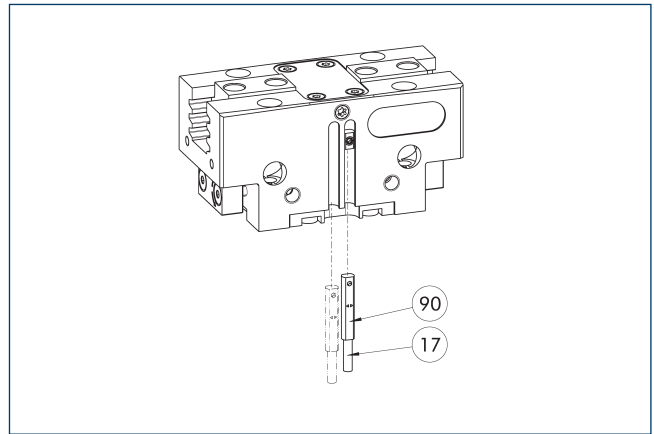
- ⑰ Cable outlet
- ⑨① Sensor MMS 22 ..-PI1-...-SA
- ⑨② Sensor MMS 22 PI1-...

Position monitoring with one programmable position per sensor and integrated electronic system in the sensor. Can be programmed using MT magnetic teaching tool (included in the scope of delivery, ID 0301030) or ST plug teaching tool (optional). End position monitoring for mounting in the C-slot. If the ST plug teaching tools are listed in the table provided, teaching is only possible with the ST teaching tools.

Description	ID	Often combined
Programmable magnetic switch		
MMS 22-PI1-S-M8-PNP	0301160	●
MMSK 22-PI1-S-PNP	0301162	
Programmable magnetic switch with lateral cable outlet		
MMS 22-PI1-S-M8-PNP-SA	0301166	●
MMSK 22-PI1-S-PNP-SA	0301168	
Programmable magnetic switch with stainless steel housing		
MMS 22-PI1-S-M8-PNP-HD	0301110	●
MMSK 22-PI1-S-PNP-HD	0301112	

- ① Two sensors are required per unit for monitoring two positions. On option, extension cables and sensor distributors are available. Additional product variants of the sensor, and further information and technical data can be found in the catalog chapter sensor system.

Programmable magnetic switch MMS 22-PI2



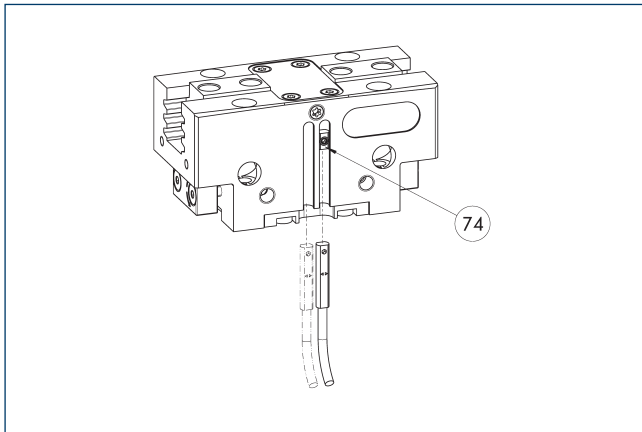
- ⑰ Cable outlet
- ⑨② MMS 22...-PI2-... sensor

Position monitoring with two programmable positions per sensor and electronics integrated in the sensor. Can be programmed using MT magnetic teaching tool (included in the scope of delivery, ID 0301030) or ST plug teaching tool (optional). End position monitoring for mounting in the C-slot. If the ST plug teaching tools are listed in the table provided, teaching is only possible with the ST teaching tools.

Description	ID	Often combined
Programmable magnetic switch		
MMS 22-PI2-S-M8-PNP	0301180	●
MMSK 22-PI2-S-PNP	0301182	
Programmable magnetic switch with lateral cable outlet		
MMS 22-PI2-S-M8-PNP-SA	0301186	●
MMSK 22-PI2-S-PNP-SA	0301188	
Programmable magnetic switch with stainless steel housing		
MMS 22-PI2-S-M8-PNP-HD	0301130	●
MMSK 22-PI2-S-PNP-HD	0301132	

- ① One sensor is required per unit for monitoring two positions. Extension cables and sensor distributors are optionally available. Additional product variants of the sensor, and further information and technical data can be found in the catalog chapter sensor systems.

MMS-P programmable magnetic switch



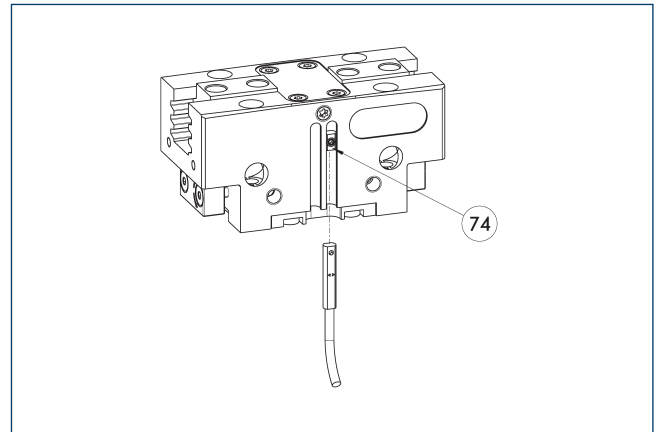
74 Limit stop for sensor

Position monitoring with two programmable positions per sensor. End position monitoring for mounting in the C-slot.

Description	ID	Often combined
Programmable magnetic switch		
MMSK-P 22-S-PNP	0301371	
MMS-P 22-S-M8-PNP	0301370	●
Connection cables		
KA GLN0804-LK-00500-A	0307767	●
KA GLN0804-LK-01000-A	0307768	
KA WLN0804-LK-00500-A	0307765	
KA WLN0804-LK-01000-A	0307766	
Clip for connector/socket		
CLI-M8	0301463	
Sensor distributor		
V2-M8-4P-2XM8-3P	0301380	

- ① One sensor is required per unit for monitoring two positions. Extension cables and sensor distributors are optionally available. Additional product variants of the sensor, and further information and technical data can be found in the catalog chapter sensor systems.

Analog position sensor MMS-A



74 Limit stop for sensor

Non-contact measuring, analog multi-position monitoring for any number of positions, easy to assemble in the C-slot. Can be programmed using MT magnetic teaching tool (included in the scope of delivery, ID 0301030) or ST plug teaching tool (optional). End position monitoring for mounting in the C-slot. If the ST plug teaching tools are listed in the chart provided, teaching is only possible with the ST teaching tools.

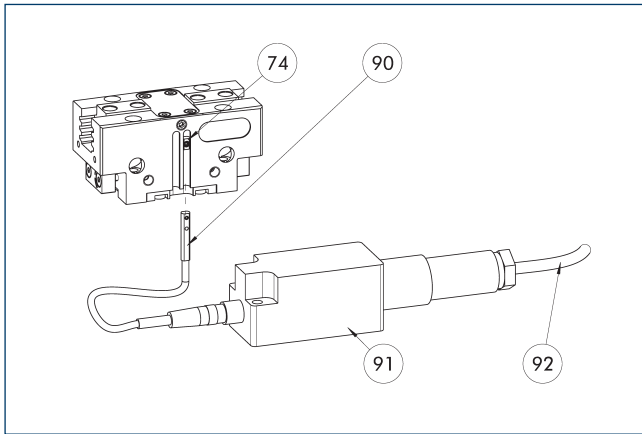
Description	ID	
Analog position sensor		
MMS 22-A-10V-M08	0315825	
MMS 22-A-10V-M12	0315828	

- ① One sensor is required for each gripper. No additional mounting kit is required – the gripper is equipped for use of the sensor by default. Further information and technical data can be found in the catalog chapter sensor systems.

PGN-plus-P 64

Universal gripper

Flexible position sensor with MMS-A



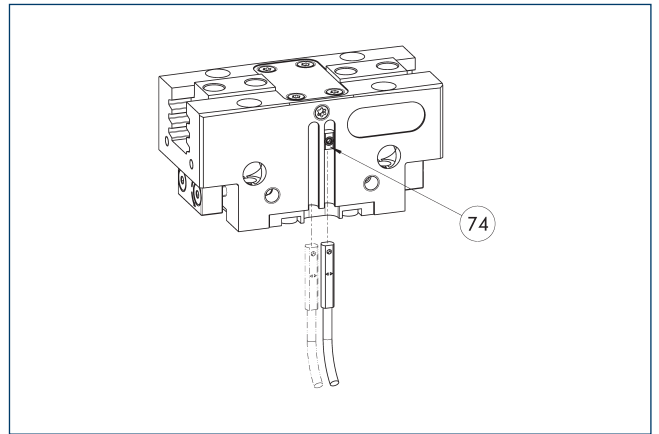
- 74 Limit stop for sensor
- 90 MMS 22-A-... sensor
- 91 FPS-F5 evaluation electronic
- 92 Connection cables

Flexible position monitoring of up to five positions. Sensor can be taught using MT magnetic teaching tool (included in the scope of delivery, ID 0301030) or ST plug teaching tool (optional). If the ST plug teaching tools are listed in the table provided, teaching is only possible with the ST teaching tools.

Description	ID	
Analog position sensor		
MMS 22-A-05V-M08	0315805	
Evaluation electronics		
FPS-F5	0301805	
Sensor Teaching Tool		
MT-MMS 22-PI	0301030	
Connection cables		
KA BG16-L 12P-1000	0301801	

- ① When using an FPS system, one MMS 22-A-05V and one evaluation electronics (FPS-F5) are required per each gripper, as well as an attachment kit (AS), if listed. On option, cable extensions (KV) are available – see catalog chapter “Accessories.”

Programmable magnetic switch MMS-IO-Link



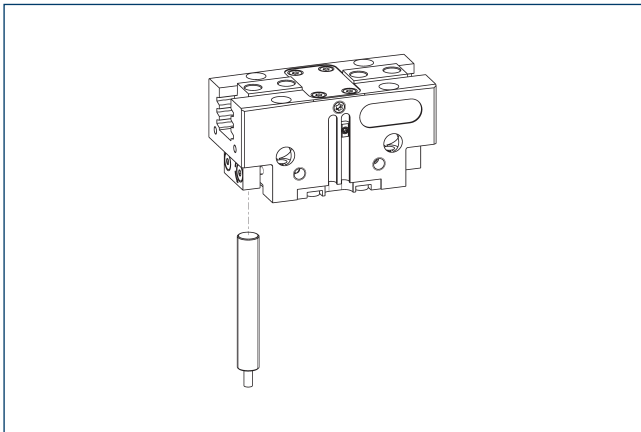
- 74 Limit stop for sensor

Sensor for multi-position monitoring through detection of the complete gripper stroke. The sensor is mounted directly in the C-slot of the gripper. The sensor is programmed for the gripper via the IO-Link interface, Magnet teaching tool MT (included in scope of delivery; ID 0301030) or the ST plug teaching tool (not included in scope of delivery; ID 0301026). An IO-Link master is required for operation.

Description	ID	
Programmable magnetic switch		
MMS 22-IO-L-M08	0315830	
MMS 22-IO-L-M12	0315835	

- ① One sensor is required for each gripper. No additional mounting kit is required – the gripper is equipped for use of the sensor by default. Further information and technical data can be found in the catalog chapter sensor systems.

APS-Z80 analog position sensor



Non-contact measuring, analog multi-position monitoring for any number of positions.

Description	ID	Often combined
Mounting kit for APS-Z80		
AS-APS-Z80-PGN-plus-P 64-1	1366196	
AS-APS-Z80-PGN-plus-P 64-2	1366200	
Analog position sensor		
APS-Z80-K	0302072	
APS-Z80-M8	0302070	●

- ① When using an APS system, one mounting kit (AS-APS-Z80) and one APS-Z80 sensor is required per gripper. The resolution of the sensor can be lower in the peripheral areas of the gripper. You can find further information on the product in the operating manual.