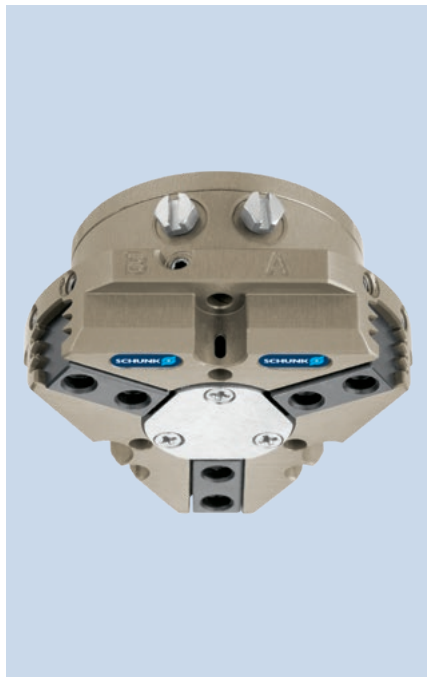
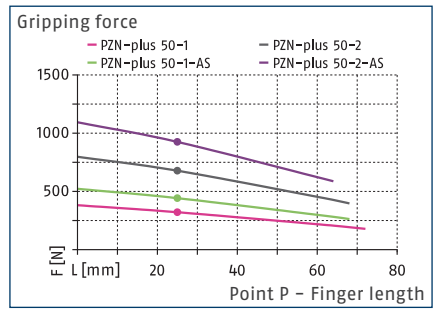


# PZN-plus 50

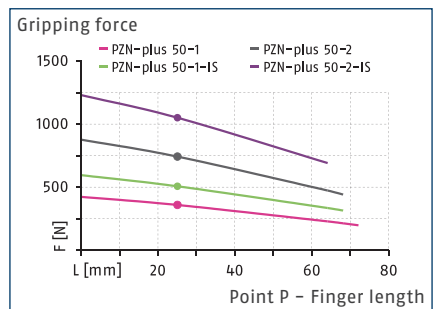
Universal gripper



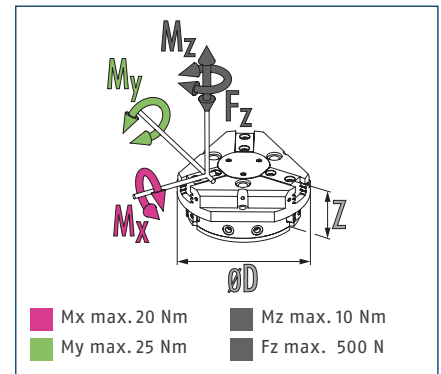
## Gripping force O.D. gripping



## Gripping force I.D. gripping



## Dimensions and maximum loads



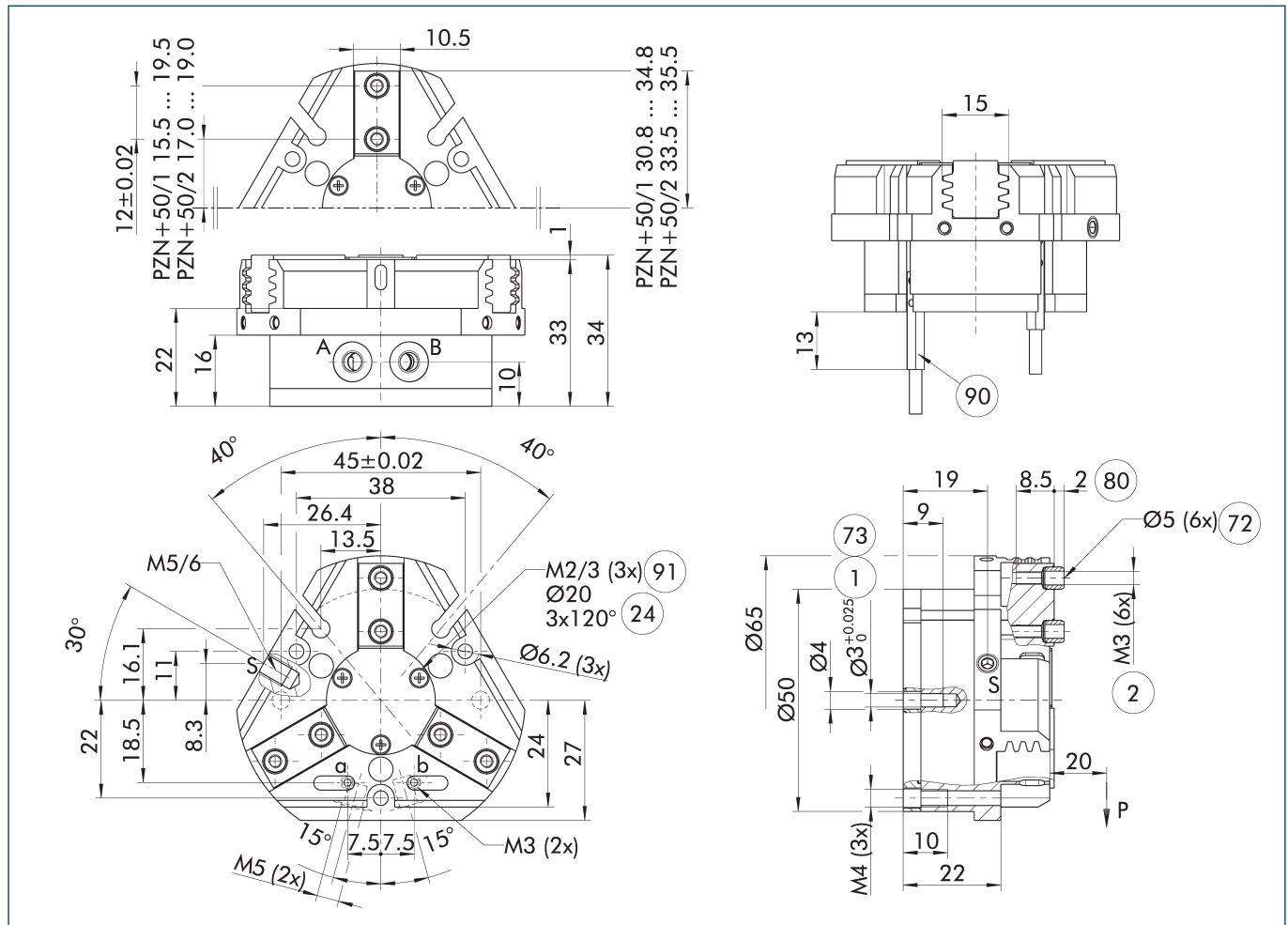
① The indicated moments and forces are static values, apply for each base jaw and may appear simultaneously. Loads may additionally occur to the moment produced by the gripping force itself.

## Technical data

Description		PZN-plus 50-1	PZN-plus 50-2	PZN-plus 50-1-AS	PZN-plus 50-2-AS	PZN-plus 50-1-IS	PZN-plus 50-2-IS
ID		0303309	0303409	0303509	0303609	0303539	0303639
Stroke per jaw	[mm]	4	2	4	2	4	2
Closing/opening force	[N]	325/355	680/740	445/-	925/-	-/505	-/1050
Min. spring force	[N]			120	245	150	310
Weight	[kg]	0.27	0.27	0.35	0.35	0.35	0.35
Recommended workpiece weight	[kg]	1.65	3.4	1.65	3.4	1.65	3.4
Cylinder volume per double stroke	[cm <sup>3</sup> ]	9	9	18	18	18	18
Min./nom./max. operating pressure	[bar]	2/6/8	2/6/8	4/6/6.5	4/6/6.5	4/6/6.5	4/6/6.5
Min./max. air purge pressure	[bar]	0.5/1	0.5/1	0.5/1	0.5/1	0.5/1	0.5/1
Closing/opening time	[s]	0.03/0.03	0.03/0.03	0.02/0.04	0.02/0.04	0.04/0.02	0.04/0.02
Closing/opening time with spring	[s]			0.08	0.08	0.08	0.08
Max. permissible finger length	[mm]	72	68	68	64	68	64
Max. permissible weight per finger	[kg]	0.18	0.18	0.18	0.18	0.18	0.18
IP protection class		40	40	40	40	40	40
Min./max. ambient temperature	[°C]	5/90	5/90	5/90	5/90	5/90	5/90
Repeat accuracy	[mm]	0.01	0.01	0.01	0.01	0.01	0.01
Dimensions Ø D x Z	[mm]	65 x 34	65 x 34	65 x 44.5	65 x 44.5	65 x 44.5	65 x 44.5
<b>Options and their characteristics</b>							
Dustproof version		37303309	37303409	37303509	37303609	37303539	37303639
IP protection class		64	64	64	64	64	64
Weight	[kg]	0.33	0.33	0.41	0.41	0.41	0.41
Corrosion-protected version		38303309	38303409	38303509	38303609	38303539	38303639
High-temperature version		39303309	39303409	39303509	39303609	39303539	39303639
Min./max. ambient temperature	[°C]	5/130	5/130	5/130	5/130	5/130	5/130
Power booster version		0372200	0372210	0372220		0372240	
Closing/opening force	[N]	460/505	970/1050	560/-		-/631	
Weight	[kg]	0.38	0.38	0.46		0.46	
Maximum pressure	[bar]	6	6	6		6	
Max. permissible finger length	[mm]	64	50	50		50	
Precision version		0303339	0303439	0303489	0303589		

① It may take a few 100 gripping cycles until the full gripping force (as indicated in the data table) will be available.

## Main view



The drawing shows the gripper in the basic version with closed jaws, without dimensional consideration of the options described below.

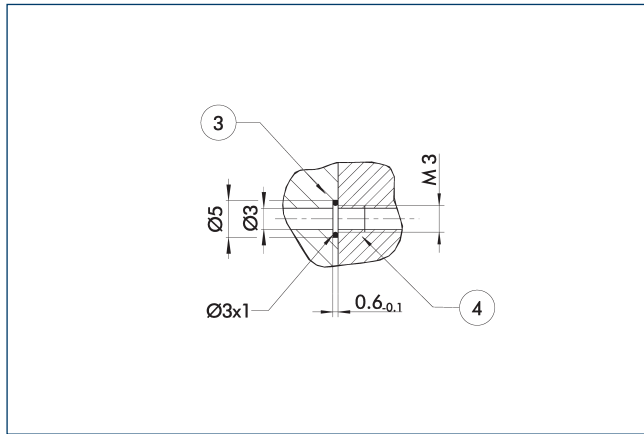
① As an alternative/in addition to spring-assisted mechanical gripping force maintenance, the SDV-P pressure maintenance valve can be used for I.D. and O.D. gripping (see "Accessories" section of catalog).

- A, a Main / direct connection, gripper opening
- B, b Main / direct connection, gripper closing
- S Air purge connection
- ① Gripper connection
- ② Finger connection
- ②④ Bolt circle
- ⑦② Fit for centering sleeves
- ⑦③ Fit for centering pins
- ⑧① Depth of the centering sleeve hole in the counter part
- ⑨① Sensor MMS 22..
- ⑨① Thread below the cover for fastening external attachments

# PZN-plus 50

Universal gripper

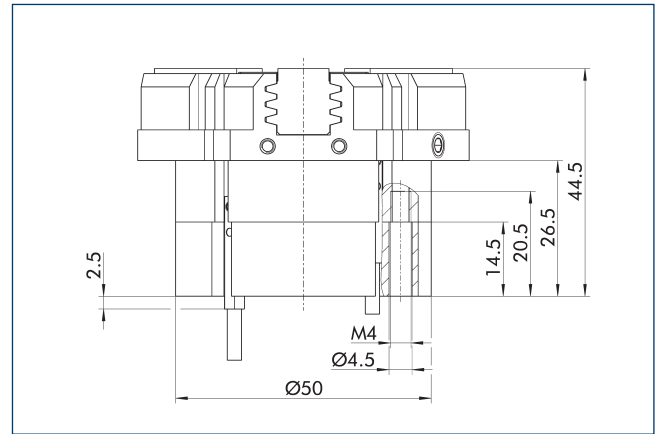
## Hose-free direct connection M3



- ③ Adapter
- ④ Grippers

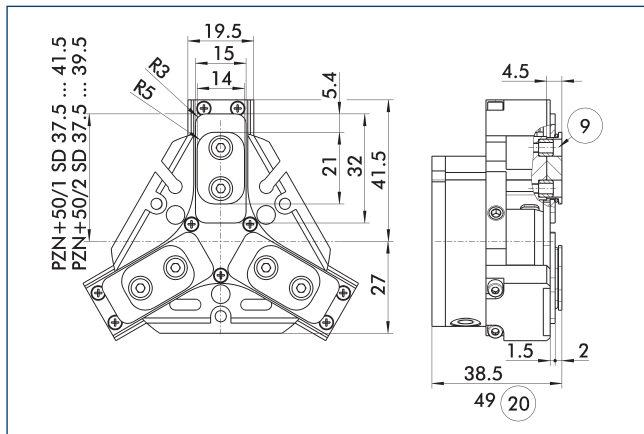
The direct connection is used for supplying compressed air without hoses. Instead, the pressure medium is fed through bore-holes in the mounting plate.

## Gripping force maintenance version AS/IS



The mechanical gripping force maintenance device ensures that a minimum clamping force will be applied even if there is a drop in pressure. In the AS/IS variant this acts as a closing force, in the IS variant as an opening force. Besides this, gripping force maintenance can be used to increase gripping force or for single actuated gripping.

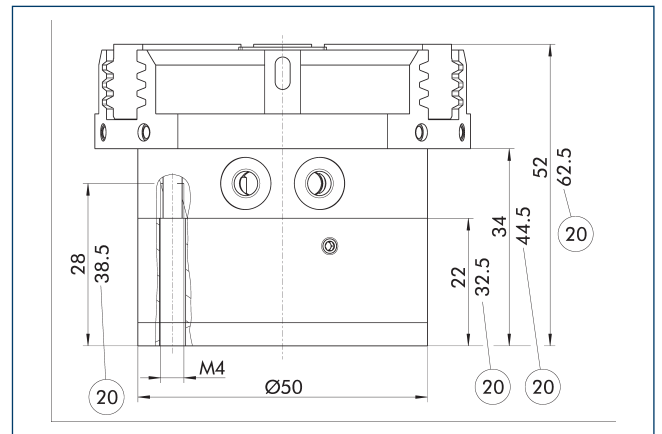
## Dustproof version



- ⑨ For mounting screw connection
- ⑩ For version AS/IS diagram, see basic version

The "dustproof" option increases the degree of protection against penetrating substances. The assembly diagram shifts by the height of the intermediate jaw. The finger length is still measured from the upper edge of the gripper housing.

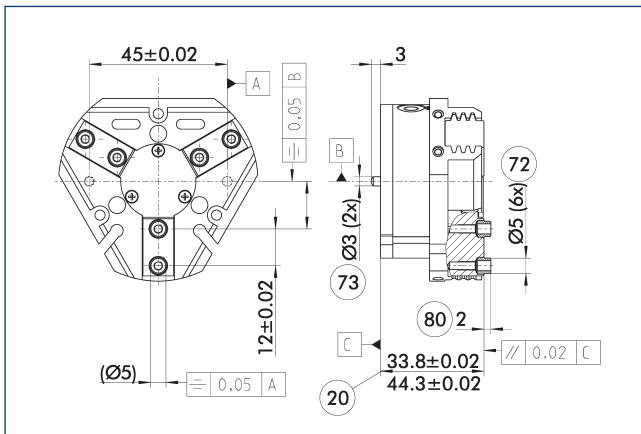
## Power booster version



- ⑩ For version AS/IS

The KVZ cylinder increases the gripping forces during opening and closing. A second, in series-connected piston also increases the force on the wedge hook. Please consider that grippers which are equipped with a gripping force maintenance device are higher.

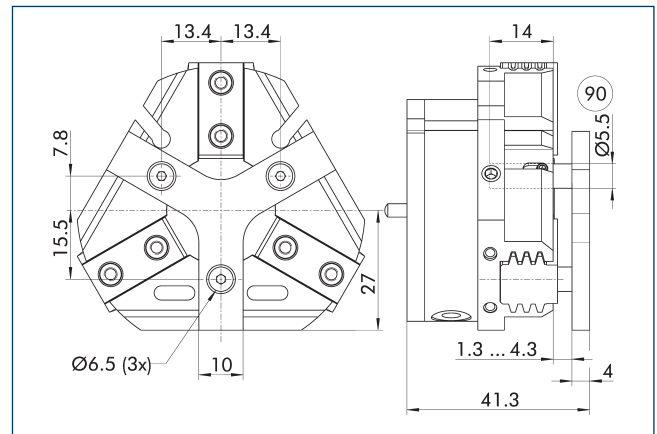
## Precision version



- ②0 For version AS/IS
- ⑦2 Fit for centering sleeves
- ⑦3 Fit for centering pins
- ⑧0 Depth of the centering sleeve hole in the counter part

The indicated tolerances just refer to the variants of precision versions shown in the chart of technical specifications. All other variants of precision versions are available on request.

## Spring-loaded pressure piece



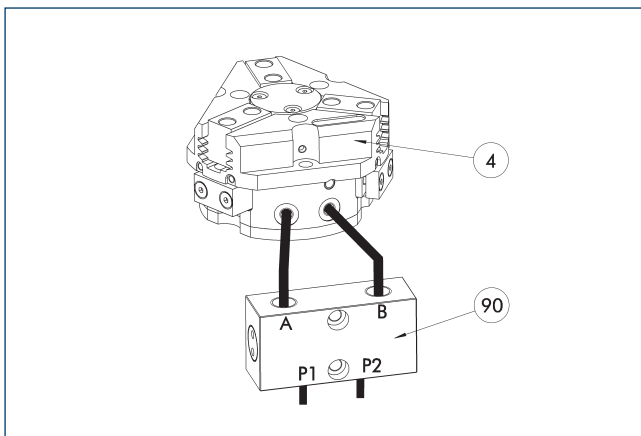
- ⑨0 Guide pin

For spring-supported positioning of the workpiece against a stop after the gripper has opened. Especially developed for loading machines.

Description	ID	Stroke [mm]	Min. force [N]
Spring-loaded pressure piece			
A-PZN-plus 50	0303719	3	12

- ① The pressure piece cannot be combined with the dustproof option. Please contact us if you require a customized pressure piece.

## SDV-P pressure maintenance valve



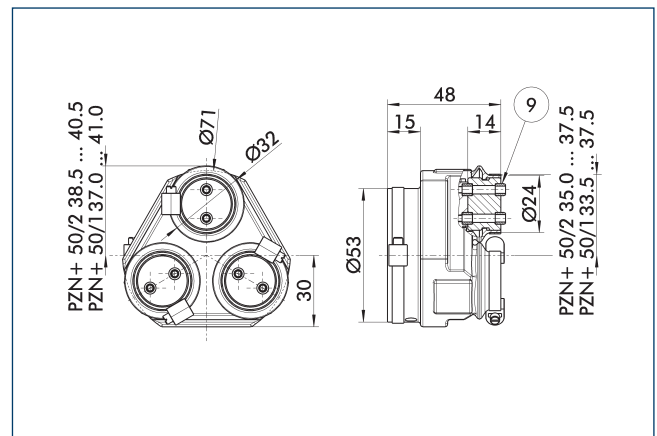
- ④ Grippers
- ⑨0 SDV-P pressure maintenance valve

The SDV-P pressure maintenance valve ensures in emergency STOP situations that the pressure in the piston chamber of pneumatic gripper, swivel, linear, and quick-change modules is temporarily maintained.

Description	ID	Recommended hose diameter [mm]
Pressure maintenance valve		
SDV-P 04	0403130	6
Pressure maintenance valve with air bleed screw		
SDV-P 04-E	0300120	6

- ① In order to achieve the specified closing and opening time for each gripper variant, the recommended hose diameter must be used. The direct allocation of the respective variant of the gripper for the respective SDV-P can be found at schunk.com.

## Protective cover HUE PZN-plus 50



- ⑨ For mounting screw connection diagram, see basic version

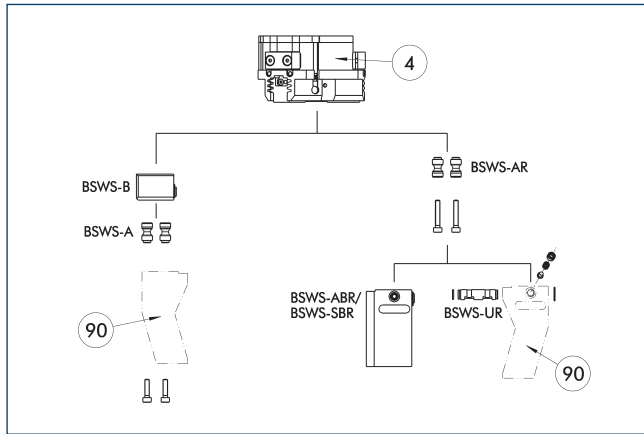
The HUE protective cover fully protects the gripper against external influences. The cover is suitable for applications of up to IP65 if an additional sealing of the cover bottom is provided. For detailed information, please see the HUE series. The connection diagram shifts by the height of the intermediate jaw.

Description	ID	IP protection class
Protection cover		
HUE PZN-plus 50	0303479	65

# PZN-plus 50

Universal gripper

## BSWS jaw quick-change jaw systems



④ Grippers                      ⑨0 Customized gripper fingers

There are various jaw quick-change systems available for the gripper. For detailed information, please refer to the corresponding product.

Description	ID	Scope of delivery
<b>Jaw quick-change system adapter pin</b>		
BSWS-A 50	0303020	2
BSWS-AR 50	0300091	2
<b>Quick-change jaw system base</b>		
BSWS-B 50	0303021	1
<b>Jaw quick-change system finger blank</b>		
BSWS-ABR-PGZN-plus 50	0300071	1
BSWS-SBR-PGZN-plus 50	0300081	1
<b>Jaw quick-change system locking mechanism</b>		
BSWS-UR 50	0302990	1

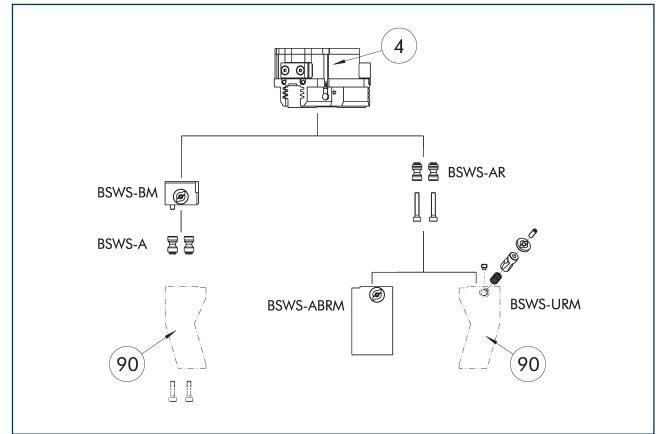
① If the operating pressure is higher than 6 bar, suitability for use beyond the application limits must be checked. Only systems that are listed in the table, can be used.

### Fields of application

Series	Size	Variant	Suitability
PZN-plus	50	-1 (6 bar)	■■■■■
PZN-plus	50	-1-AS/1-IS (6 bar)	■■■■■
PZN-plus	50	-2 (6 bar)	■■■■■
PZN-plus	50	-2-AS/2-IS (6 bar)	■■■□□
PZN-plus	50	-...-KVZ (6 bar)	■■■□□
<b>Legend</b>			
■■■■■	Can be combined without restrictions		
■■■□□	Use with restrictions (see loading limits)		
□□□□	cannot be combined		

The load limits for describing the application limits can be found in the catalog chapter of the corresponding accessories.

## Jaw quick-change system BSWS-M



④ Grippers                      ⑨0 Customized gripper fingers

There are various jaw quick-change systems available for the gripper. For detailed information, please refer to the corresponding product.

Description	ID	Scope of delivery
<b>Jaw quick-change system adapter pin</b>		
BSWS-A 50	0303020	2
BSWS-AR 50	0300091	2
<b>Quick-change jaw system base</b>		
BSWS-BM 50	1313899	1
<b>Jaw quick-change system finger blank</b>		
BSWS-ABRM-PGZN-plus 50	1420850	1
<b>Jaw quick-change system locking mechanism</b>		
BSWS-URM 50	1380614	1

① If the operating pressure is higher than 6 bar, suitability for use beyond the application limits must be checked. Only systems that are listed in the table, can be used.

### Fields of application

Series	Size	Variant	Suitability
PZN-plus	50	-1 (6 bar)	■■■■■
PZN-plus	50	-1-AS/1-IS (6 bar)	■■■■■
PZN-plus	50	-2 (6 bar)	■■■■■
PZN-plus	50	-2-AS/2-IS (6 bar)	■■■□□
PZN-plus	50	-...-KVZ (6 bar)	■■■□□
<b>Legend</b>			
■■■■■	Can be combined without restrictions		
■■■□□	Use with restrictions (see loading limits)		
□□□□	cannot be combined		

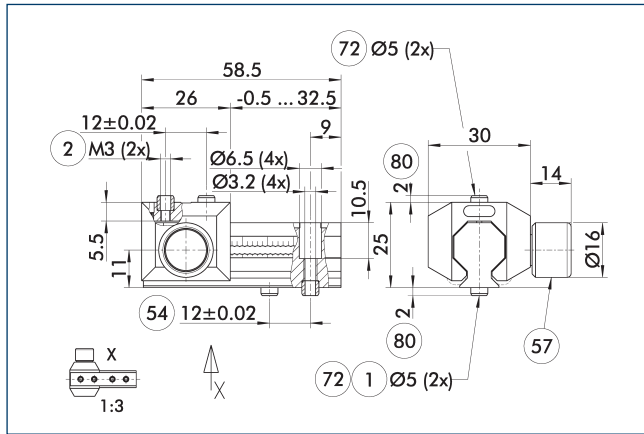
The load limits for describing the application limits can be found in the catalog chapter of the corresponding accessories.



# PZN-plus 50

Universal gripper

## UZB 50 universal intermediate jaw



- ① Gripper connection
- ② Finger connection
- ⑤ Optional right or left connection
- ⑤⑦ Locking
- ⑦② Fit for centering sleeves
- ⑧① Depth of the centering sleeve hole in the counter part

The drawing shows the UZB universal intermediate jaw.

Description	ID	Grid dimension
		[mm]
Universal intermediate jaw		
UZB 50	0300041	1.5
Finger blank		
ABR-PGZN-plus 50	0300009	
SBR-PGZN-plus 50	0300019	

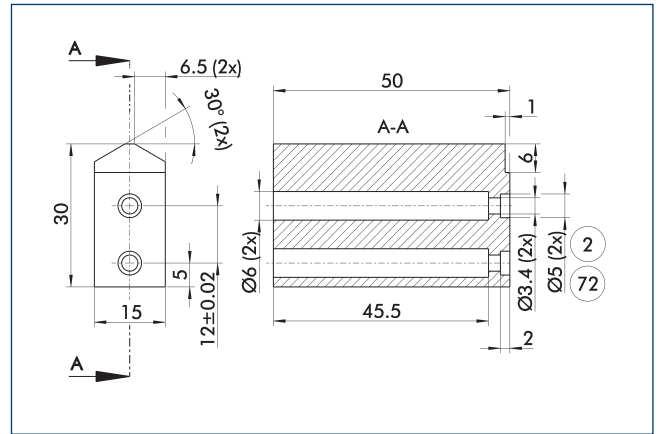
- ① If the operating pressure is higher than 6 bar, suitability for use beyond the application limits must be checked.

### Fields of application

Series	Size	Variant	Suitability
PZN-plus	50	-1 (6 bar)	■■■■
PZN-plus	50	-1-AS/1-IS (6 bar)	■■□□
PZN-plus	50	-2 (6 bar)	□□□□
PZN-plus	50	-2-AS/2-IS (6 bar)	□□□□
PZN-plus	50	-...-KVZ (6 bar)	□□□□
Legend			
■■■■	Can be combined without restrictions		
■■□□	Use with restrictions (see loading limits)		
□□□□	cannot be combined		

The load limits for describing the application limits can be found in the catalog chapter of the corresponding accessories.

## Finger blanks ABR/SBR-PGZN-plus 50

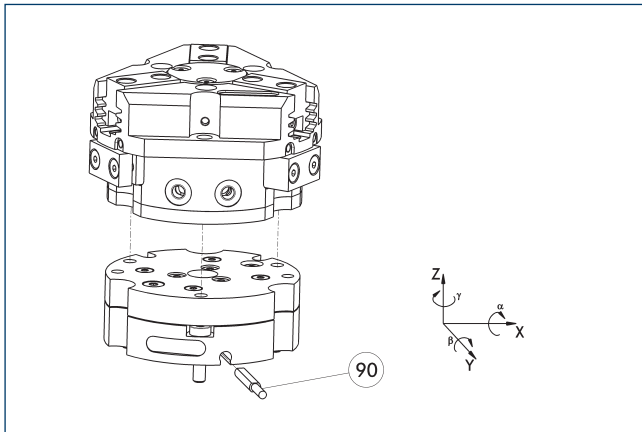


- ② Finger connection
- ⑦② Fit for centering sleeves

The drawing shows the finger blank which can be reworked by the customer.

Description	ID	Material	Scope of delivery
Finger blank			
ABR-PGZN-plus 50	0300009	Aluminum (3.4365)	1
SBR-PGZN-plus 50	0300019	Steel (1.7131)	1

## Tolerance compensation unit TCU

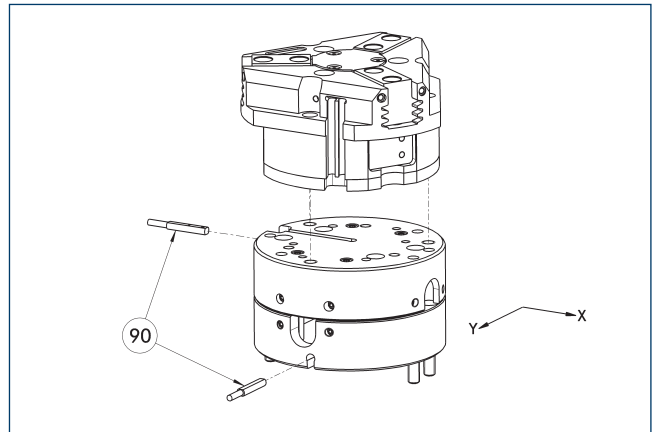


### 90 Monitoring of locking

Grippers can be directly mounted without an adapter plate. Tolerance compensation unit and gripper have an identical screw connection diagram. Therefore the tolerance compensation units can be assembled later. Please consider the additional assembly height of the tolerance compensation unit. For details please refer to our catalog robot accessories.

Description	ID	Locking	Deflection
Compensation unit			
TCU-Z-050-3-0V	0324749	no	$\pm 1^\circ / \pm 1^\circ / \pm 1,5^\circ$

## Compensation unit AGE-F

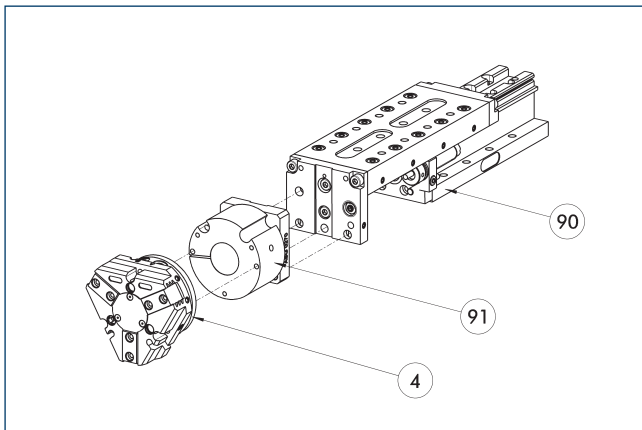


### 90 Monitoring

Grippers can be directly mounted without an adapter plate. For details see our catalog Gripping or Robot Accessories.

Description	ID	Compensation XY	Reset force	Often combined
		[mm]	[N]	
Compensation unit				
AGE-F-XY-040-1	0324920	$\pm 2$	3	
AGE-F-XY-040-2	0324921	$\pm 2$	4	
AGE-F-XY-040-3	0324922	$\pm 2$	4.5	●

## Modular Assembly Automation



- 4 Grippers
- 90 Linear module CLM/KLM/LM/ELP/ELM/ELS/HLM
- 91 ASG adapter plate

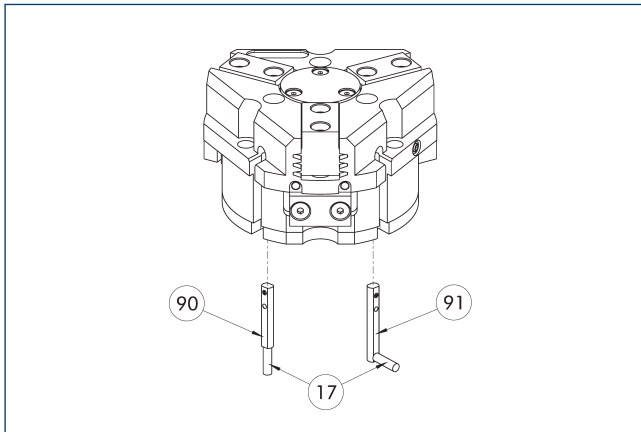
Grippers and linear modules can be combined with standard adapter plates from the modular assembly system. For more information see our main catalog "Modular Assembly Automation".



# PZN-plus 50

Universal gripper

## Electronic magnetic switch MMS



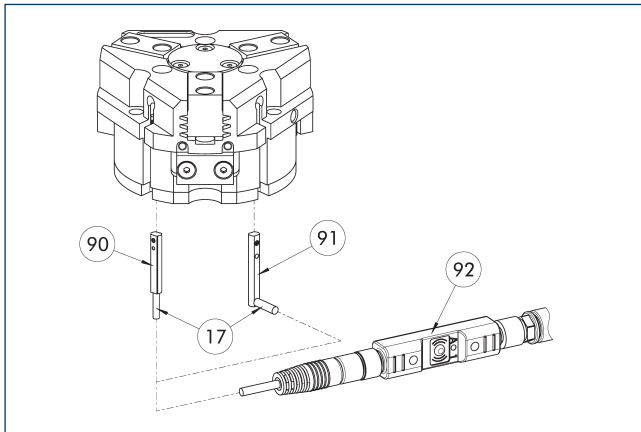
- ①⑦ Cable outlet                      ①⑨ Sensor MMS 22...-SA  
 ①⑩ Sensor MMS 22..

End position monitoring for mounting in the C-slot.

Description	ID	Often combined
<b>Electronic magnetic switch</b>		
MMS 22-S-M8-PNP	0301032	●
MMSK 22-S-PNP	0301034	
<b>Electronic magnetic switches with lateral cable outlet</b>		
MMS 22-S-M8-PNP-SA	0301042	●
MMSK 22-S-PNP-SA	0301044	
<b>Connection cables</b>		
KA BG08-L 3P-0300-PNP	0301622	●
KA BG08-L 3P-0500-PNP	0301623	
KA BW08-L 3P-0300-PNP	0301594	
KA BW08-L 3P-0500-PNP	0301502	
<b>Clip for connector/socket</b>		
CLI-M8	0301463	
<b>Cable extension</b>		
KV BW08-SG08 3P-0030-PNP	0301495	
KV BW08-SG08 3P-0100-PNP	0301496	
KV BW08-SG08 3P-0200-PNP	0301497	●
<b>Sensor distributor</b>		
V2-M8	0301775	●
V4-M8	0301746	
V8-M8	0301751	

- ① Two sensors are required per unit for monitoring two positions. On option, extension cables and sensor distributors are available. Additional product variants of the sensor, and further information and technical data can be found in the catalog chapter sensor system.

## Programmable magnetic switch MMS 22-PI1



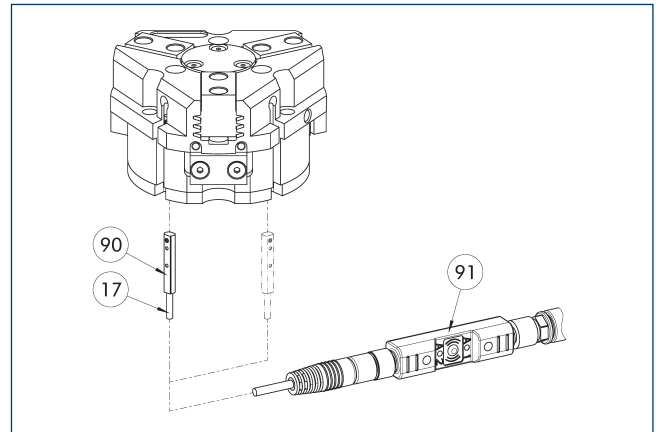
- ①⑦ Cable outlet
- ①⑨ Sensor MMS 22 PI1-...
- ①⑩ Sensor MMS 22 ..-PI1-...-SA
- ①⑪ Connector teaching tool ST

Position monitoring with one programmable position per sensor and integrated electronic system in the sensor. Can be programmed using MT magnetic teaching tool (included in the scope of delivery, ID 0301030) or ST plug teaching tool (optional). End position monitoring for mounting in the C-slot. If the ST plug teaching tools are listed in the table provided, teaching is only possible with the ST teaching tools.

Description	ID	Often combined
<b>Programmable magnetic switch</b>		
MMS 22-PI1-S-M8-PNP	0301160	●
MMSK 22-PI1-S-PNP	0301162	
<b>Programmable magnetic switch with lateral cable outlet</b>		
MMS 22-PI1-S-M8-PNP-SA	0301166	●
MMSK 22-PI1-S-PNP-SA	0301168	
<b>Programmable magnetic switch with stainless steel housing</b>		
MMS 22-PI1-S-M8-PNP-HD	0301110	●
MMSK 22-PI1-S-PNP-HD	0301112	
<b>Plug teaching tool</b>		
ST-MMS 22-PI1-PNP	0301025	

- ① Two sensors are required per unit for monitoring two positions. On option, extension cables and sensor distributors are available. Additional product variants of the sensor, and further information and technical data can be found in the catalog chapter sensor system.

## Programmable magnetic switch MMS 22-PI2



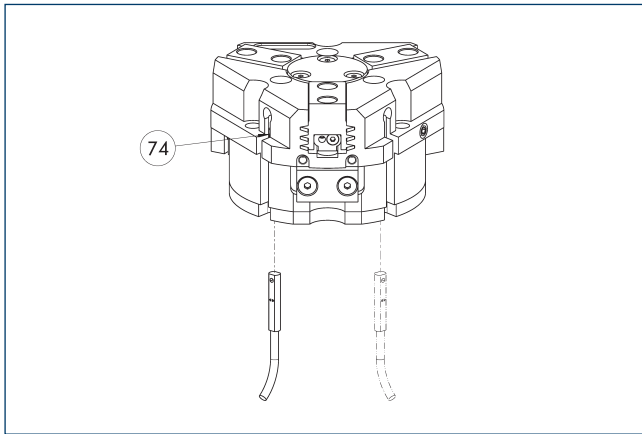
- ①⑦ Cable outlet
- ①⑨ MMS 22...-PI2-... sensor
- ①⑩ Connector teaching tool ST

Position monitoring with two programmable positions per sensor and electronics integrated in the sensor. Can be programmed using MT magnetic teaching tool (included in the scope of delivery, ID 0301030) or ST plug teaching tool (optional). End position monitoring for mounting in the C-slot. If the ST plug teaching tools are listed in the table provided, teaching is only possible with the ST teaching tools.

Description	ID	Often combined
<b>Programmable magnetic switch</b>		
MMS 22-PI2-S-M8-PNP	0301180	●
MMSK 22-PI2-S-PNP	0301182	
<b>Programmable magnetic switch with lateral cable outlet</b>		
MMS 22-PI2-S-M8-PNP-SA	0301186	●
MMSK 22-PI2-S-PNP-SA	0301188	
<b>Programmable magnetic switch with stainless steel housing</b>		
MMS 22-PI2-S-M8-PNP-HD	0301130	●
MMSK 22-PI2-S-PNP-HD	0301132	
<b>Plug teaching tool</b>		
ST-MMS 22-PI2-PNP	0301026	

- ① One sensor is required per unit for monitoring two positions. Extension cables and sensor distributors are optionally available. Additional product variants of the sensor, and further information and technical data can be found in the catalog chapter sensor systems.

### MMS-P programmable magnetic switch



⑦④ Limit stop for sensor

Position monitoring with two programmable positions per sensor. End position monitoring for mounting in the C-slot.

Description	ID	Often combined
Programmable magnetic switch		
MMSK-P 22-S-PNP	0301371	
MMS-P 22-S-M8-PNP	0301370	●
Connection cables		
KA GLN0804-LK-00500-A	0307767	●
KA GLN0804-LK-01000-A	0307768	
KA WLN0804-LK-00500-A	0307765	
KA WLN0804-LK-01000-A	0307766	
Clip for connector/socket		
CLI-M8	0301463	
Sensor distributor		
V2-M8-4P-2XM8-3P	0301380	

① One sensor is required per unit for monitoring two positions. Extension cables and sensor distributors are optionally available. Additional product variants of the sensor, and further information and technical data can be found in the catalog chapter sensor systems.