

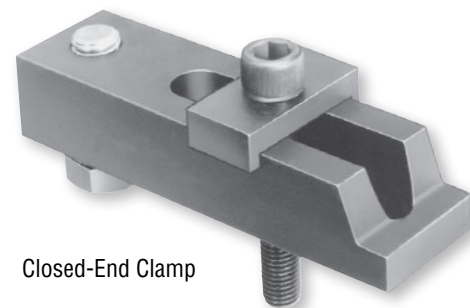
## 9" Mold Clamps

### Through-hardened steel, closed end, socket or oversize hex bolt

EMI's through-hardened steel clamps last longer than less expensive case-hardened clamps. These are easy to install and are adjustable, so that no spacers are required. The washers are extra-large and hardened. Metric thread bolts are available as an option.

#### 9" Machined Mold Clamps: Socket Head Bolt Style

Description		Quick#	Part#	Price	
<b>3/4" -10 Platen Holes</b>				<b>(1-15)</b>	<b>(16+)</b>
<b>Total Price</b>	<b>Complete Clamp Assembly</b>	<b>M448</b>	<b>87C9C34S</b>	<b>\$68.19</b>	<b>\$66.14</b>
	9" Closed-End Clamp Only	M449	87C9C	\$52.26	\$48.87
	Non-Slip Washer	M450	8734RW	\$9.05	\$9.05
	Socket Head Bolt 3/4"-10 x 4 1/2"	M451	8734HA	\$4.03	\$4.03
	Leveling Bolt 1"-8 x 3 1/4"	M452	872ABA	\$2.29	\$2.29
<b>1" -8 Platen Holes</b>				<b>(1-15)</b>	<b>(16+)</b>
<b>Total Price</b>	<b>Complete Clamp Assembly</b>	<b>M453</b>	<b>87C9C1S</b>	<b>\$72.54</b>	<b>\$70.36</b>
	9" Closed-End Clamp Only	M449	87C9C	\$52.26	\$48.87
	Non-Slip Washer	M454	871RW	\$9.37	\$9.37
	Socket Head Bolt 1"-8 x 4 1/2"	M455	871H	\$9.52	\$9.52
	Leveling Bolt 1"-8 x 2 1/2"	M452	872ABA	\$4.33	\$4.33
<b>Options</b>				<b>(1-15)</b>	<b>(16+)</b>
	Swivel-Style Leveling Bolt	M456	871SB	\$21.58	\$21.58
	1"-8 x 5 1/2" Long Platen Bolts SHCH	M457	87-94	\$17.51	\$17.51
	3/4"-10 x 5 1/2" Long Platen Bolts SHCH	M447	87-102	\$11.70	\$11.70
<b>Metric Thread Platen Bolt – See page 193</b>					



Closed-End Clamp

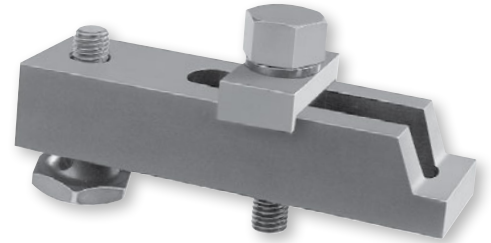


Options

When ordering, use Quick#s to ensure order accuracy.

# 9" Mold Clamps

## 9" Machined Mold Clamps: Oversize Hex Head Bolt Style



Closed-End Clamp



Options

**Total Price**

Description	Quick#	Part#	Price	
			(1-15)	(16+)
<b>3/4" -10 Platen Holes</b>				
<b>Complete Clamp Assembly</b>	<b>M458</b>	<b>87C9C34SOS</b>	<b>\$93.05</b>	<b>\$90.25</b>
9" Closed-End Clamp Only	<b>M449</b>	87C9C	\$52.26	\$48.87
Non-Slip Washer	<b>M450</b>	8734RW	\$9.05	\$9.05
Oversize Hex Bolt 3/4"-10 x 4 1/2"	<b>M459</b>	8734OSL	\$10.15	\$10.15
Swivel Bolt 1"-8 x 3/4"	<b>M456</b>	871SB	\$21.58	\$21.58
<b>1" -8 Platen Holes</b>				
<b>Complete Clamp Assembly</b>	<b>M460</b>	<b>87C9C1SOS</b>	<b>\$98.97</b>	<b>\$96.00</b>
9" Closed-End Clamp Only	<b>M449</b>	87C9C	\$52.26	\$48.87
Non-Slip Washer	<b>M454</b>	871RW	\$9.37	\$9.37
Oversize Hex Bolt 1"-8 x 4 1/2"	<b>M461</b>	871OS	\$15.76	\$15.76
Leveling Bolt 1"-8 x 3/4"	<b>M456</b>	871SB	\$21.58	\$21.58
<b>Options</b>			<b>(1-15)</b>	<b>(16+)</b>
Non-Swivel Leveling Bolt	<b>M452</b>	872ABA	\$4.33	\$4.33
1"-8 x 5 1/2" Long Platen Bolts OSH	<b>M462</b>	871OSL	\$24.73	\$24.73
3/4"-10 x 5 1/2" Long Platen Bolts OSH	<b>M469</b>	87-103	\$19.11	\$19.11
<b>Metric Thread Platen Bolt – See page 193</b>				

**Total Price**

Dimensions apply to socket and oversize hex-style clamps.

