

EMI[®] Adjustable Height & Fixed Height Cobot Stands

EMI's cobot pedestals extend the reach of a cobot arm. They are heavy-duty for industrial use and come in many heights, both adjustable and fixed, and bases that are either mobile and stationary.

The mobile base units come with leveling feet, and heavy-duty castors where the fixed base units have a bolt-down base. Need a custom height or configuration? Use the form on the following page!

In-Stock Cobot Pedestal Pricing:



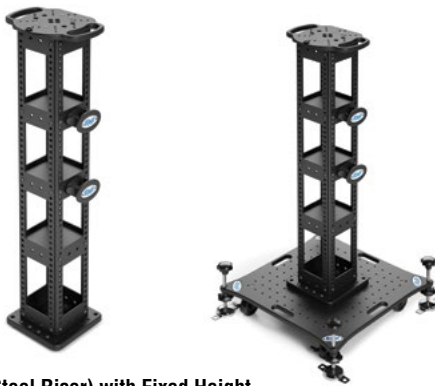
Mobile Base (Aluminum Profile Riser) with Adjustable Height

Quick #	Part #	Description	Wt.	Price
8901	CRS-MA-2844	28.5"-44.5" OAH	167 lbs	\$2,920.00
8902	CRS-MA-3558	35.5"-58.8" OAH	173 lbs	\$2,972.00

Fixed Base (Aluminum Profile Riser) with Adjustable Height

Quick #	Part #	Description	Wt.	Price
8920	CRS-FA-2339	23.7"-39.9" OAH	59 lbs	\$1,610.00
8921	CRS-FA-3054	30.8"-54" OAH	65 lbs	\$1,662.00

Note: The mobile base unit adds roughly 4.7" to the overall height.



Fixed Base (Steel Riser) with Fixed Height

Quick #	Part #	Description	Wt.	Price
8930	CRS-FF-30	30.6" OAH	68 lbs	\$1,271.00
8931	CRS-FF-36	36.9" OAH	71 lbs	\$1,346.00
8932	CRS-FF-42	42.5" OAH	79 lbs	\$1,421.00
8933	CRS-FF-48	48.7" OAH	87 lbs	\$1,496.00

Mobile Base (Steel Riser) with Fixed Height

Quick #	Part #	Description	Wt.	Price
8910	CRS-MF-35	35.3" OAH	176 lbs	\$2,581.00
8911	CRS-MF-41	41.6" OAH	179 lbs	\$2,656.00
8912	CRS-MF-47	47.2" OAH	187 lbs	\$2,731.00
8913	CRS-MF-53	53.5" OAH	195 lbs	\$2,806.00

Note: The mobile base unit adds roughly 4.7" to the overall height.



Fixed Base with Electrically-Driven Aluminum Riser

Quick #	Part #	Description	Wt.	Price
8960	CRS-FAE-2743	16" Adjustable Stroke 27"-43" OAH	84 lbs	\$3,363.00
8961	CRS-FAE-3559	24" Adjustable Stroke 35"-59" OAH	94 lbs	\$3,487.00

Mobile Base with Electrically-Driven Aluminum Riser

Quick #	Part #	Description	Wt.	Price
8970	CRS-MAE-3248	16" Adjustable Stroke 32"-48" OAH	192 lbs	\$4,673.00
8971	CRS-MAE-4064	24" Adjustable Stroke 40"-64" OAH	202 lbs	\$4,797.00

Note: The mobile base unit adds roughly 4.7" to the overall height.



Heavy-Duty Fixed Base with Fixed Height

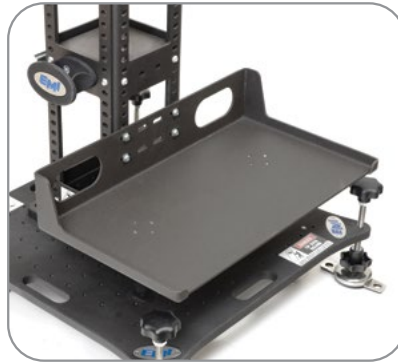
Quick #	Part #	Description	Wt.	Price
8935	CRS-FF-31-HD	31" OAH	210 lbs	\$2,235.00

EMI[®] Adjustable Height & Fixed Height Cobot Stands

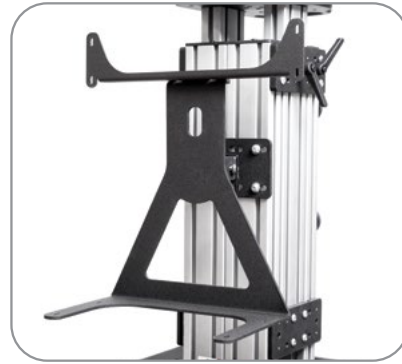
Q#8940 For Universal Robot



Q# 8943 For Doosan and Fanuc CRX



Q#8945 For Techman Control Box Mount



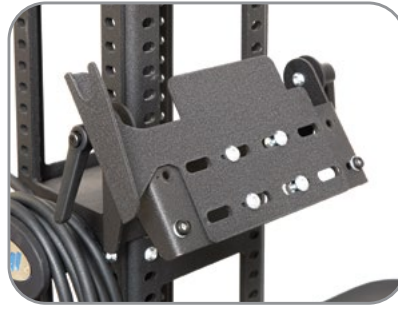
Control Box Hangers and Mounts

Quick #	Part #	Description	Price
8940	CRS-CBM-UR	UR Control Box Mount	\$35.00
8943	CRS-CBM-DO	Doosan & Fanuc CRX Control Box Mount	\$204.00
8945	CRS-CBM-TM	Techman Control Box Mount w/ Swivel	\$204.00

Q#8941 For Universal Robot



Q# 8944 For Doosan



Q#8946 For Fanuc CRX



Pendant / Controller Hangers

Quick #	Part #	Description	Price
8941	CRS-TPH-UR	UR Pendant Hanger w/ Adj. Tilt Angle*	\$99.00
8944	CRS-TPH-DO	Doosan Pendant Hanger w/ Adj. Tilt Angle	\$109.00
8946	CRS-TPH-CRX	Fanuc CRX Pendant Hanger w/ Adj. Tilt Angle	\$136.00

*Teach pendant hanger includes bracket for older model (CB-Series) UR Teach Pendant

Q#8942 Cable Management



Q#8947 X-Large Cable Management



Q#2809 Din Rail Mounting Bracket (shown attached to the stand, includes mounting hardware)



Optional Accessories

Quick #	Part #	Description	Price
8942	CRS-CM-1	Cable Management (x2)	\$39.00
8947	CRS-CM-1-XL	XL Cable Management (x2)	\$127.00
2809	CRA-DRM-1	Din Rail Mount Bracket Kit	\$37.89

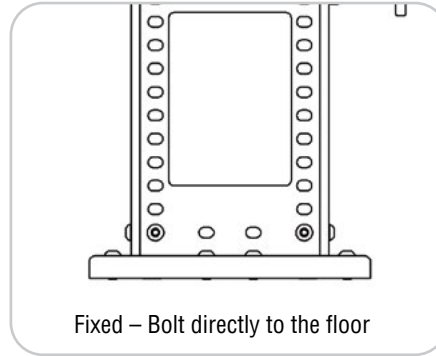
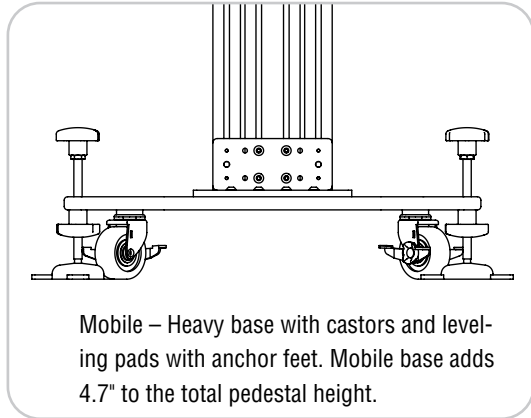
Robot Information:

Robot Make: _____ Robot Model: _____

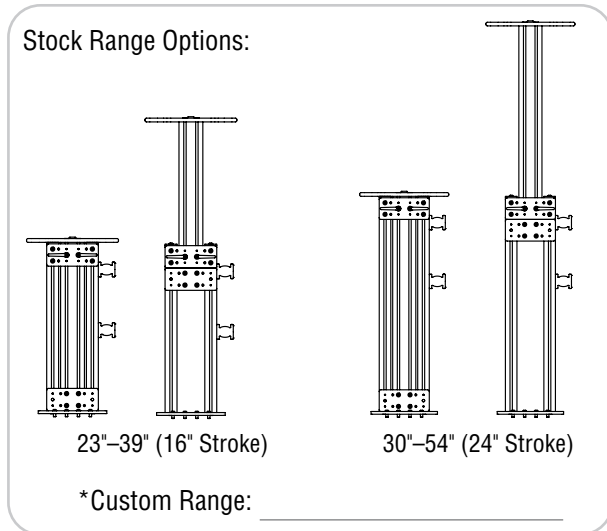
Robot Payload (kg/lbs): _____

Pedestal Specifications:

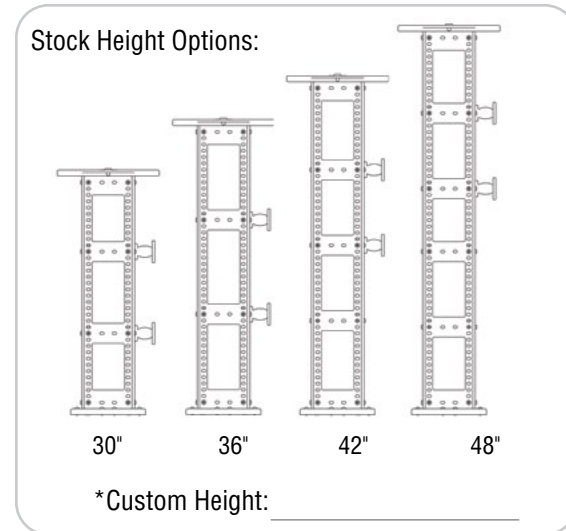
1. Base Selection: Both options below will accept 1/2" floor anchors



2. Riser Options: Telescoping Adjustable Height Riser (Aluminum Extrusion Frame):



Fixed Height Riser (Steel Frame):



**Custom Parameter – Cobot stands with custom specifications are built to order and may require 2–3 weeks for manufacturing.*

3. Finish: Select the finish of the cobot stand:

Stock Finish: Matte Black Powder Coat Custom Powder Coat (Specify Color, RAL): _____

4. Robot Controller Box Hanger: UR Doosan / Fanuc Technam N/A Custom: _____

5. Teach Pendant Hanger: UR Doosan Fanuc CRX N/A Custom: _____

Company Name: _____ Contact: _____

Address: _____ City: _____ State: _____ Zip: _____

Phone: _____ Email: _____