

One-Piece Nozzle Order/Quote Form

Fax: 216-535-4823

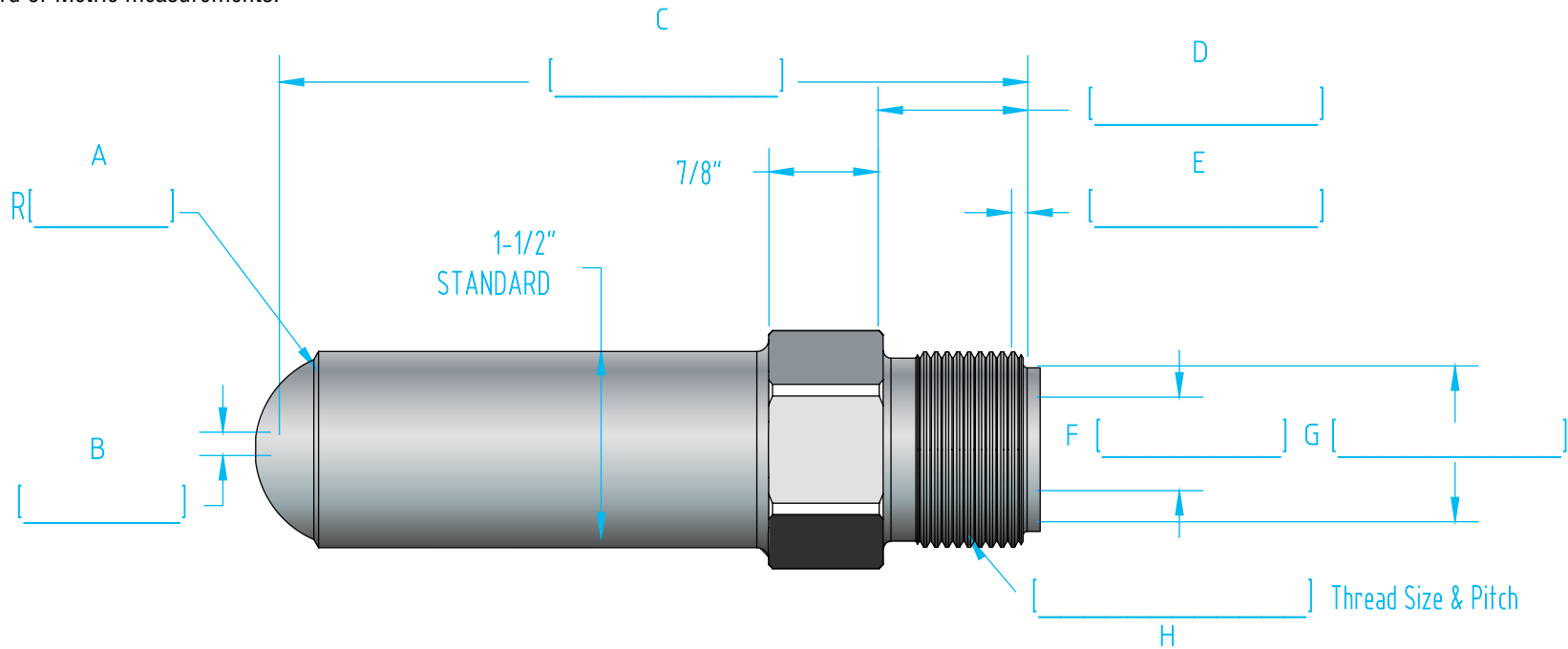
Check all that apply:

Standard Design
 Nylon/ Reverse Taper
 ABS / Full Taper

Internally Heated Nozzle
 Thermocouple Holes (qty _____)
 Tap Size: _____

Special Steel Consideration: _____

Use Standard or Metric measurements.



Machine Make: _____

Company: _____

Tonnage: _____

Name: _____

Oz. Capacity: _____

Telephone: _____

Serial #: _____

Fax: _____

Date: _____ Quote Order

Email: _____