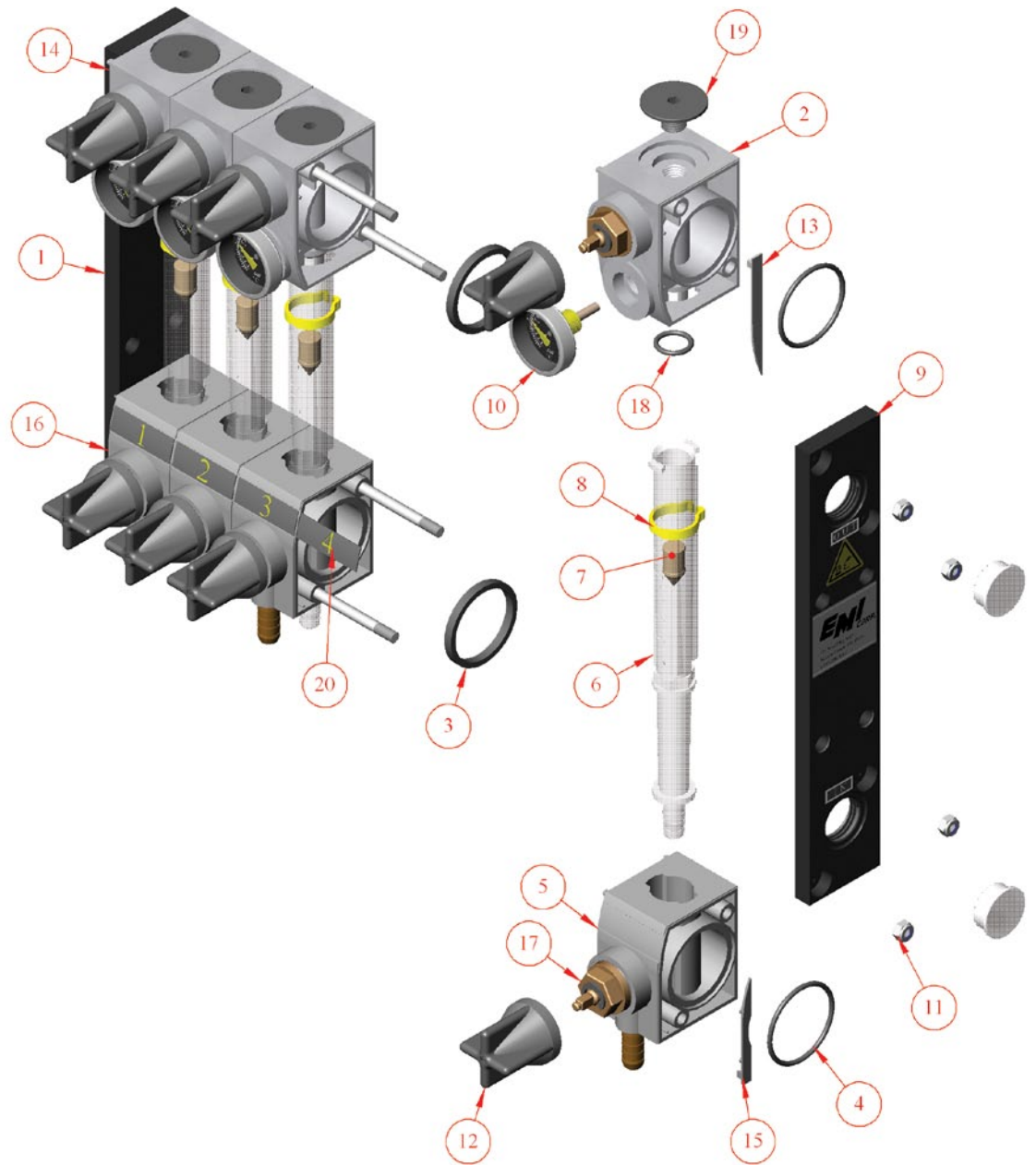


Mini Water Flow Regulators

Exploded View and Parts List

Item	Quick#	Part#	Description	Price
1	WP14	WFR2M-018-1	Mini Left Side Plate, No Port	\$44.00
2	WP15	WFR2M-001	Upper Manifold / Control Valve	\$47.00
3	WP16	WFRM-015	O-Ring, 47 x 40 x 4.8	\$2.00
4	WP17	WFRM-014	O-Ring, 42 x 2.5 (MD00000004)	\$2.00
5	WP18	WFR2M-002	Lower Manifold / Control	\$65.00
6	WP19	WFRM-005	Sight Glass	\$28.00
7	W110	WFRM-013	Brass Float	\$3.50
8	WP20	WFRM-009	Indicator Ring	\$3.00
9	WP21	WFR2M-018	Mini Right Side Plate, 3/4" NPT	\$44.00
10	W134	WFR2-004	Thermometer	\$28.00
11	WP29	WFR2M-016-2	Nut/Screw, for 2 zone	\$7.00
	WP30	WFR2M-016-4	Nut/Screw, for 4 zone	\$7.00
	WP31	WFR2M-016-6	Nut/Screw, for 6 zone	\$7.00
	WP32	WFR2M-016-8	Nut/Screw, for 8 zone	\$7.00
12	W111	WFR2-003	Adjustment Knob	\$6.00
13	WP22	WFR2M-033	Top Right Side Cover	\$2.50
14	WP23	WFR2M-034	Top Left Side Cover	\$2.50
15	WP24	WFR2M-036	Bottom Right Side Cover	\$2.50
16	WP25	WFR2M-037	Bottom Left Side Cover	\$2.50
17	WP26	WFRM-006	Control Valve	\$28.00
18	WP27	WFRM-010	O-Ring, 26.65 x 2.62	\$1.00
19	WP28	WFR2M-027-P	Plug / O-Ring Assembly	\$9.50
20	WP33	WFR2M-035	Label (specify # of zones)	\$8.00
	W143	WFR-brush	Cleaning Brush	\$5.00



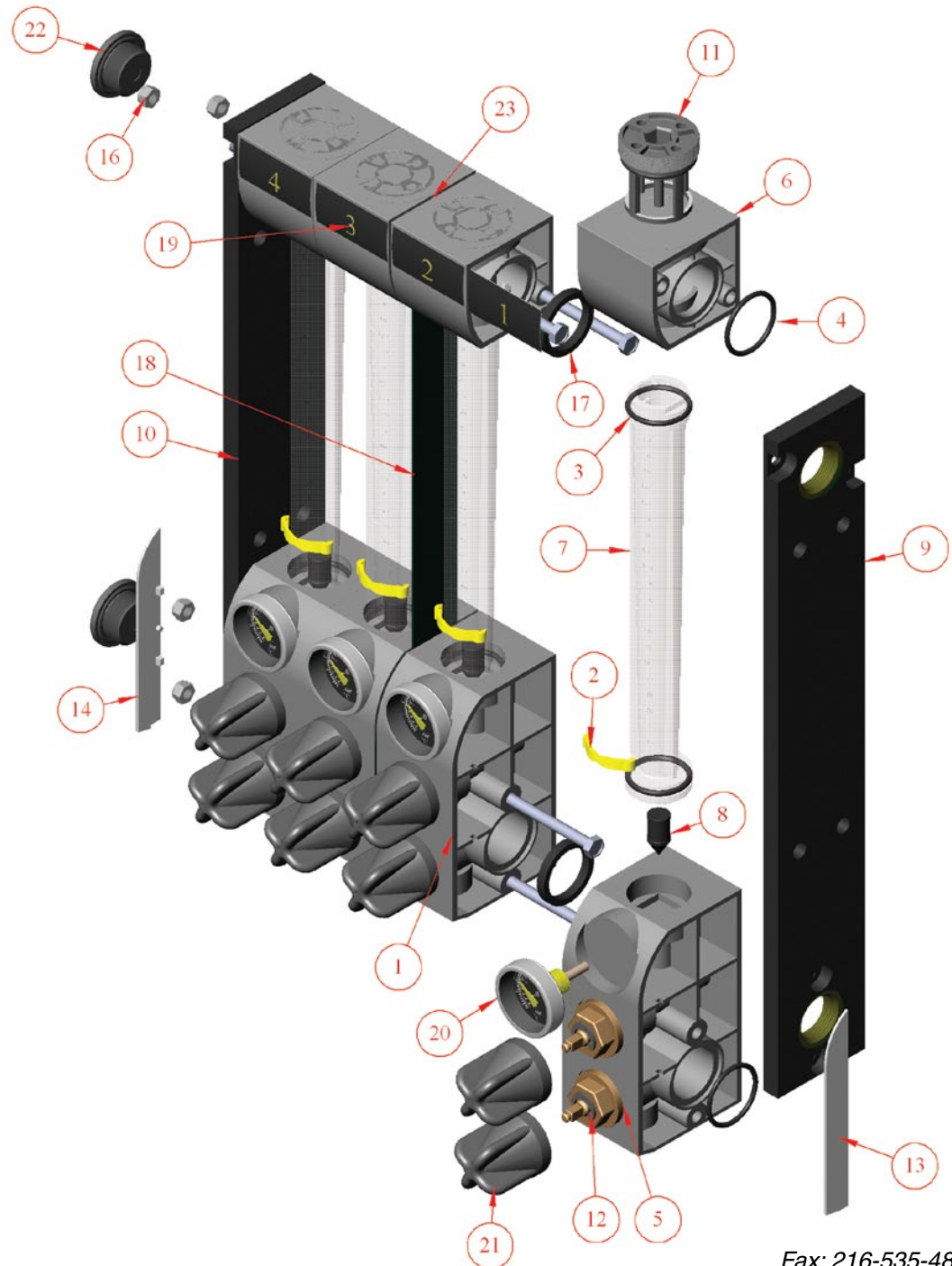
2003 Series Water Flow Regulators

Exploded View and Parts List

EMI Series 2003: 2.6 GPM units (also Wittmann series 101)

Item	Quick#	Part#	Description	Price
1	W103	WFR2-002	Lower Manifold	\$105.00
2	W133	WFR-009	Indicator Ring	\$1.25
3	W138	WFR-010	O-Ring, 26.65 x 2.62	\$1.00
4	W112	WFR-011	O-Ring, 39 x 2.5	\$1.00
5	W139	WFR-012	O-Ring, for Control Valve	\$1.00
6	W105	WFR2-001-P	Upper Manifold	\$47.00
7	W108	WFR2-005	Sight Glass Complete	\$26.00
8	W109	WFR2-013	Composite Float, 2.6 GPM	\$3.50
9	W116	WFR2-018	End Plate, Right	\$58.50
10	W118	WFR2-018-L	End Plate, Left	\$58.50
11	W136	WFR2-027-P	Plug (Filler Cap Assembly)	\$9.50
12	W106	WFR-006	Control Valve Assembly	\$28.00
13	W141	WFR2-034	Right Side Cover	\$2.50
14	WP34	WFR2-036	Left Side Cover	\$2.50
16	W121	WFR2-016-2	Nut/Screw, for 2 zone	\$3.28
	W122	WFR2-016-4	Nut/Screw, for 4 zone	\$3.75
	W123	WFR2-016-6	Nut/Screw, for 6 zone	\$5.00
	W124	WFR2-016-8	Nut/Screw, for 8 zone	\$7.00
	W125	WFR2-016-10	Nut/Screw, for 10 zone	\$8.00
	W126	WFR2-016-12	Nut/Screw, for 12 zone	\$10.00
17	W115	WFR-015	Joint Ring, 35 x 28 x 4.8	\$1.25
18	W120	WFR2-019	Center Plate	\$26.00
19	W135	Call	Label (call, must specify # of zones)	\$12.00
20	W134	WFR2-004	Thermometer	\$28.00
21	W111	WFR2-003	Adjusting Knob	\$6.00
22	W113	WFR2-021	Plug KS G 3/4"	\$4.75
23	W114	WFR-026	Center Plate O-Ring	\$1.25
	W143	WFR-brush	Cleaning Brush	\$5.00

Note: Cleaning brush comes standard with 2003 and 2008 series Water Flow Regulators.



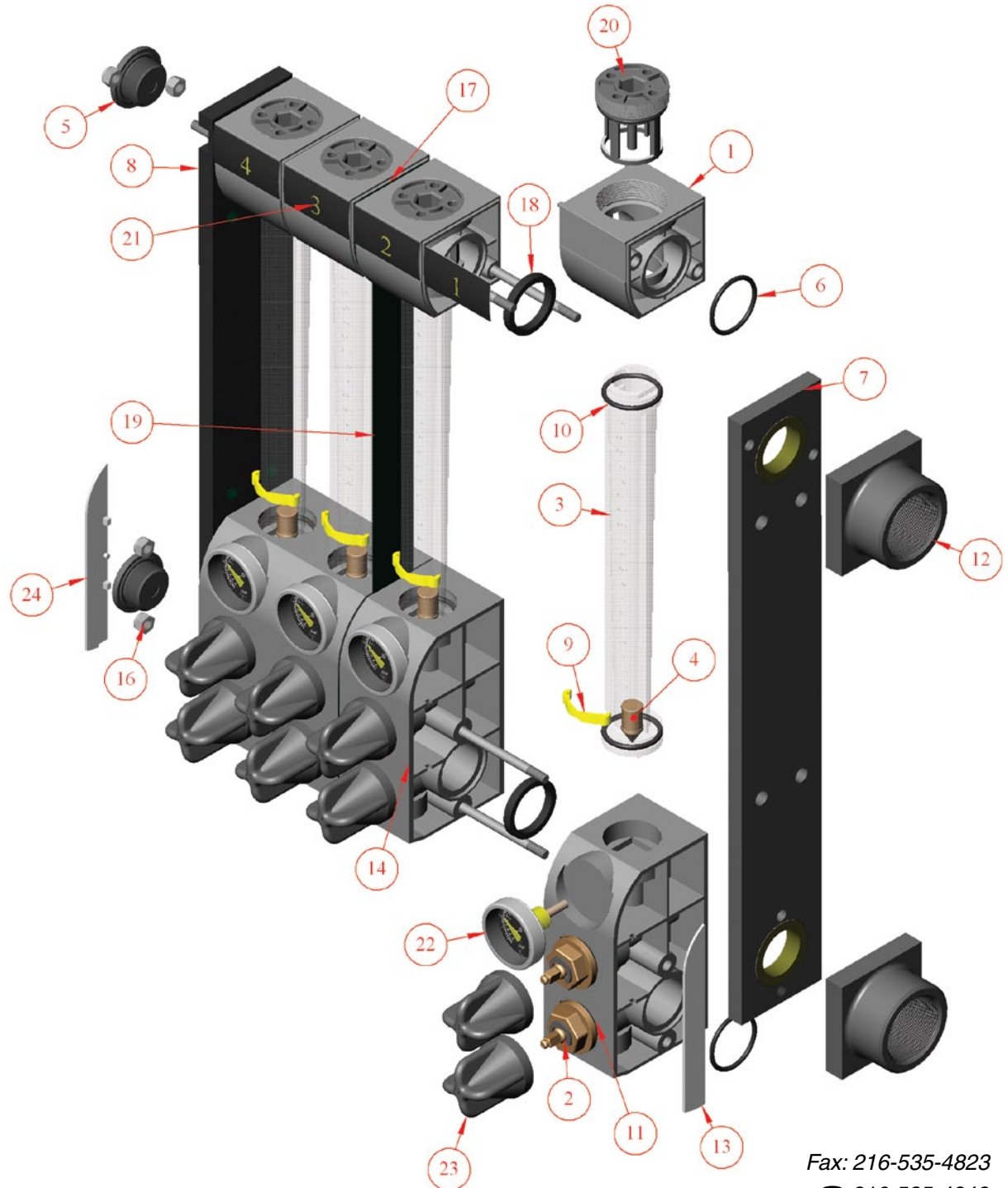
2008 Series Water Flow Regulators

Exploded View and Parts List

EMI Series 2008: 8 GPM units (also Wittmann series 301)

Item	Quick#	Part#	Description	Price
1	W105	WFR2-001	Upper Manifold	\$47.00
2	W107	WFR2-006	Control Valve Complete	\$28.00
3	W108	WFR2-005	Sight Glass Complete	\$26.00
4	W110	WFR2-013	Brass Float, 8 GPM	\$3.50
5	W113	WFR2-021	Plug KS G 3/4"	\$4.75
6	W112	WFR-011	O-Ring, 39 x 2.5	\$1.00
7	W117	WFR2L-018	End Plate, Right	\$96.00
8	W119	WFR2L-018-L	End Plate, Left	\$96.00
9	W133	WFR-009	Indicator Ring	\$1.25
10	W138	WFR-010	O-Ring, 26.65 x 2.62	\$1.00
11	W139	WFR-012	O-Ring, for Control Valve	\$1.00
12	W142	WFR2L-021	Connecting Piece	\$61.00
13	W141	WFR2-034	Right Side Cover	\$2.50
14	W104	WFR2L-002	Lower Manifold	\$105.00
16	W127	WFR2L-016-2	Nut/Screw, for 2 zone	\$4.50
	W128	WFR2L-016-4	Nut/Screw, for 4 zone	\$5.50
	W129	WFR2L-016-6	Nut/Screw, for 6 zone	\$6.50
	W130	WFR2L-016-8	Nut/Screw, for 8 zone	\$7.50
	W131	WFR2L-016-10	Nut/Screw, for 10 zone	\$8.50
	W132	WFR2L-016-12	Nut/Screw, for 12 zone	\$10.50
17	W114	WFR-026	Center Plate O-Ring	\$1.25
18	W115	WFR-015	Joint Ring, 35 x 28 x 4.8	\$1.25
19	W120	WFR2-019	Center Plate	\$26.00
20	W136	WFR2-027-P	Plug (Filler Cap Assembly)	\$9.50
21	W135	Call	Label (specify # of zones)	\$12.00
22	W134	WFR2-004	Thermometer	\$28.00
23	W111	WFR2-003	Adjusting Knob	\$6.00
24	WP34	WFR2-036	Left Side Cover	\$2.50
	W143	WFR-brush	Cleaning Brush	\$5.00

Note: Cleaning brush comes standard with 2008 series Water Flow Regulators.

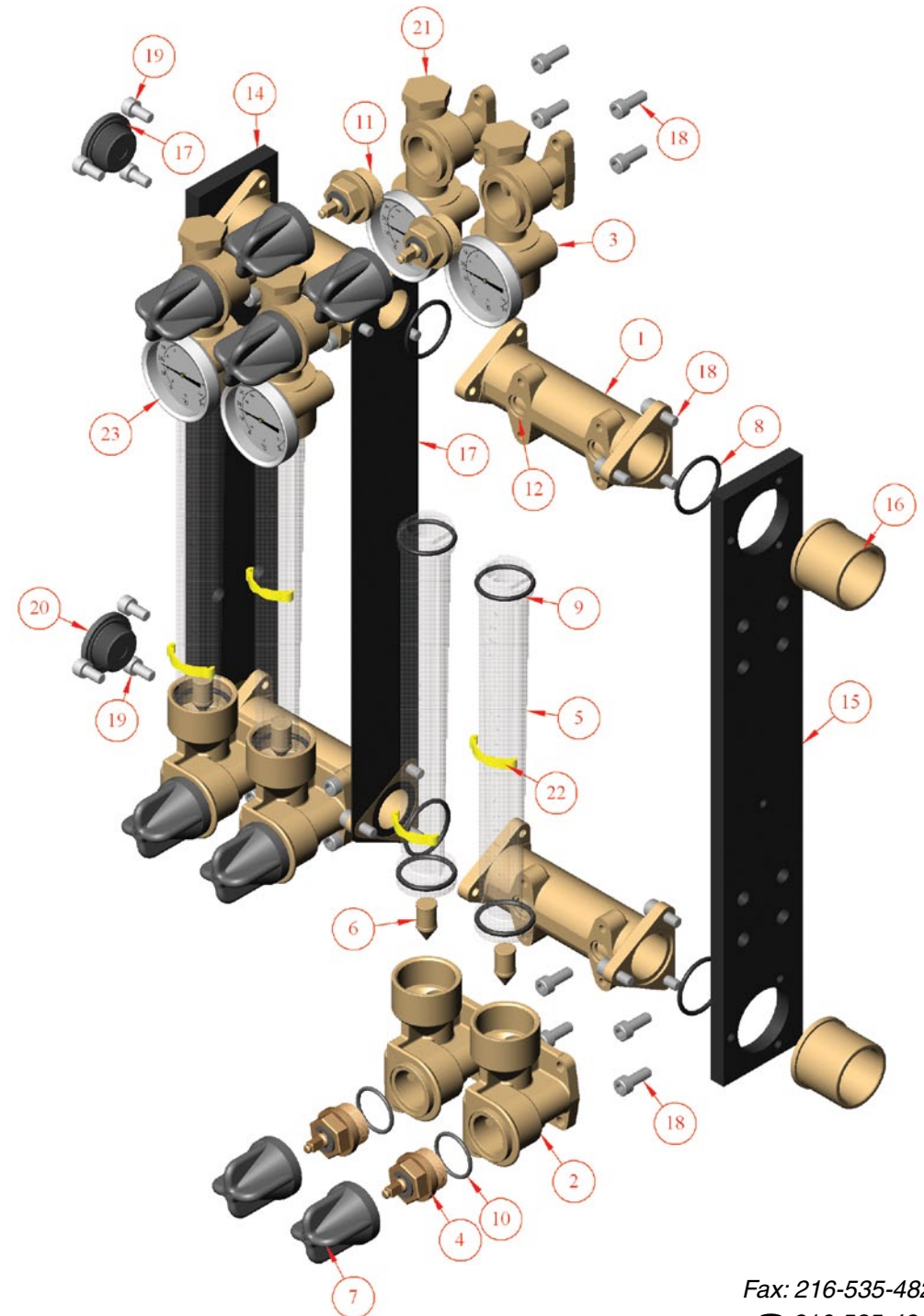


Brass Water Flow Regulators

Exploded View and Parts List

Item	Quick#	Part#	Description	Price
1	WP00	WFRB-032	Distribution Board	\$71.00
2	WP01	WFRB-002	Lower Tempering Block Cpl.	\$120.00
3	WP02	WFRB-001	Upper Tempering Block Cpl.	\$153.00
4	W107	WFRL-006	Control Valve	\$28.00
5	W108	WFRL-005	Sight Glass	\$26.00
6	W110	WFRL-013	Float	\$3.50
7	W111	WFRL-003	Adjusting Knob	\$5.00
8	WP03	WFRB-011	O-Ring, 29 x 2	\$1.25
9	W138	WFR-010	O-Ring, 26.65 x 2.62	\$1.00
10	W139	WFR-012	O-Ring, 23 x 2	\$1.00
11	WP13	WFR-025	O-Ring, 6.07 x 1.78	\$5.00
12	WP04	WFRB-026	O-Ring, 10 x 2	\$1.25
13	WP05	WFRB-027	O-Ring, 17 x 2	\$2.50
14	WP06	WFRB-018	End Plate for LH & RH side	\$78.00
15	WP07	WFRB-021	Brass Insert NPT 1"	\$37.00
16	WP08	WFRB-019	Center Plate	\$25.00
17	WP09	WFRB-029	Cylinder Screw M6 x 16	\$0.25
18	WP10	WFRB-030	Cylinder Screw M6 x 12 (CP-3062)	\$0.25
19	W113	WFR2-021	Plug	\$4.75
20	WP11	WFRB-031	Sealing Cap	\$19.00
21	W133	WFR-009	Indicator Ring	\$1.25
22	WP12	WFR-004	Thermometer	\$28.00
23	W143	WFR-brush	Cleaning Brush	\$5.00

Note: As opposed to the 2003 & 2008 Series Water Flow Regulators which have a 3/8" NPT to mold, the mold connections on all EMI Brass Water Flow Regulators are G-3/8" thread. To adapt to 3/8" NPT, order EMI #WFR-G375 - \$8.72 each. *Quick# W102.*



Water Flow Regulators

Optionals & Accessories

You can't buy better water flow regulators!

EMI's exceptional water flow regulators provide precise settings of cooling water flow rates with balancing adjustments, so you get consistent part shrinkage, optimum molding quality and consistency and instant indication of a blocked circuit. Individual circuit regulation valves eliminate flow fluctuations and zone thermometers show "from process" water temperatures. 100% leak tested before shipping. Easy to clean. Adjustable, external sight glass tube rings show deviation, allow fast flow settings when restarting molds.

Optional Valves Enhance Your Regulator's Performance (for 2003 & 2008 series only)



Z-Valve

Allows several zones to be shut off if molding is interrupted. Saves water. Prevents unnecessary cool-down. 24 v. connection and water filter included.

E-Valve

Automatically shuts off flow to a specific zone to avoid over-cooling sensitive circuits.



The Dry-Out Valve

Allows complete clean-out of the Regulator and mold channels by compressed air. Special manifold block provided.

Easy to clean



Easy to remove

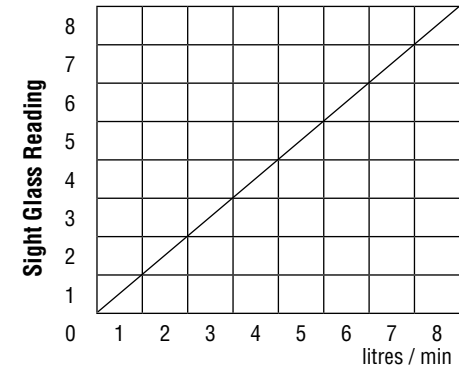


Easy to clean sight glasses

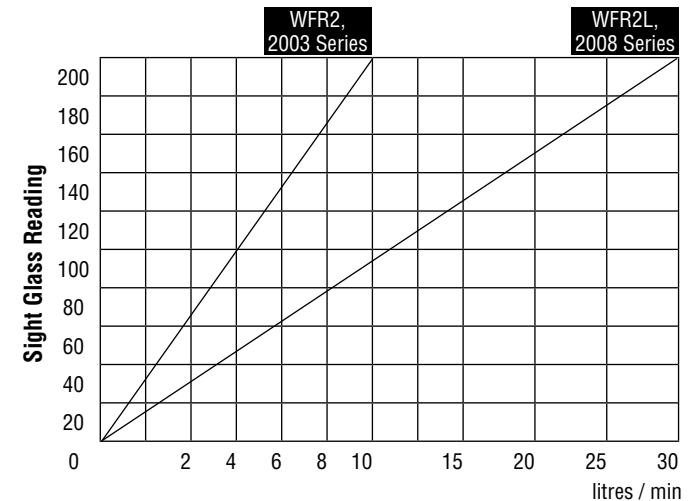
Simply unscrew the plug located at the top of the housing, and insert the cleaning brush, the glass can be easily brushed clean without having to be removed from the housing.

Sight glasses and o-rings can be replaced without taking the unit apart

Sight glasses and / or o-rings can be easily withdrawn through the upper housing with no need to disassemble the entire unit. Because the main body of the unit remains intact, the chance of leaks developing has been almost eliminated.



Flow Chart for WFR2M



Flow Chart for WFR2 and WFR2L